

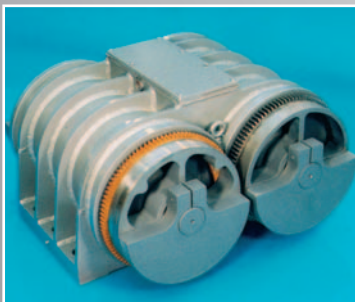
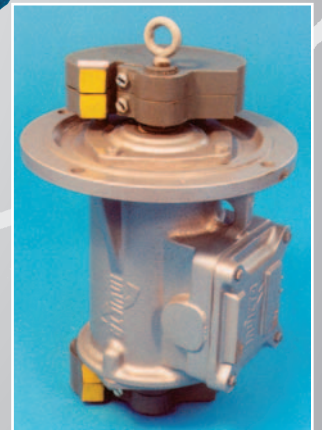
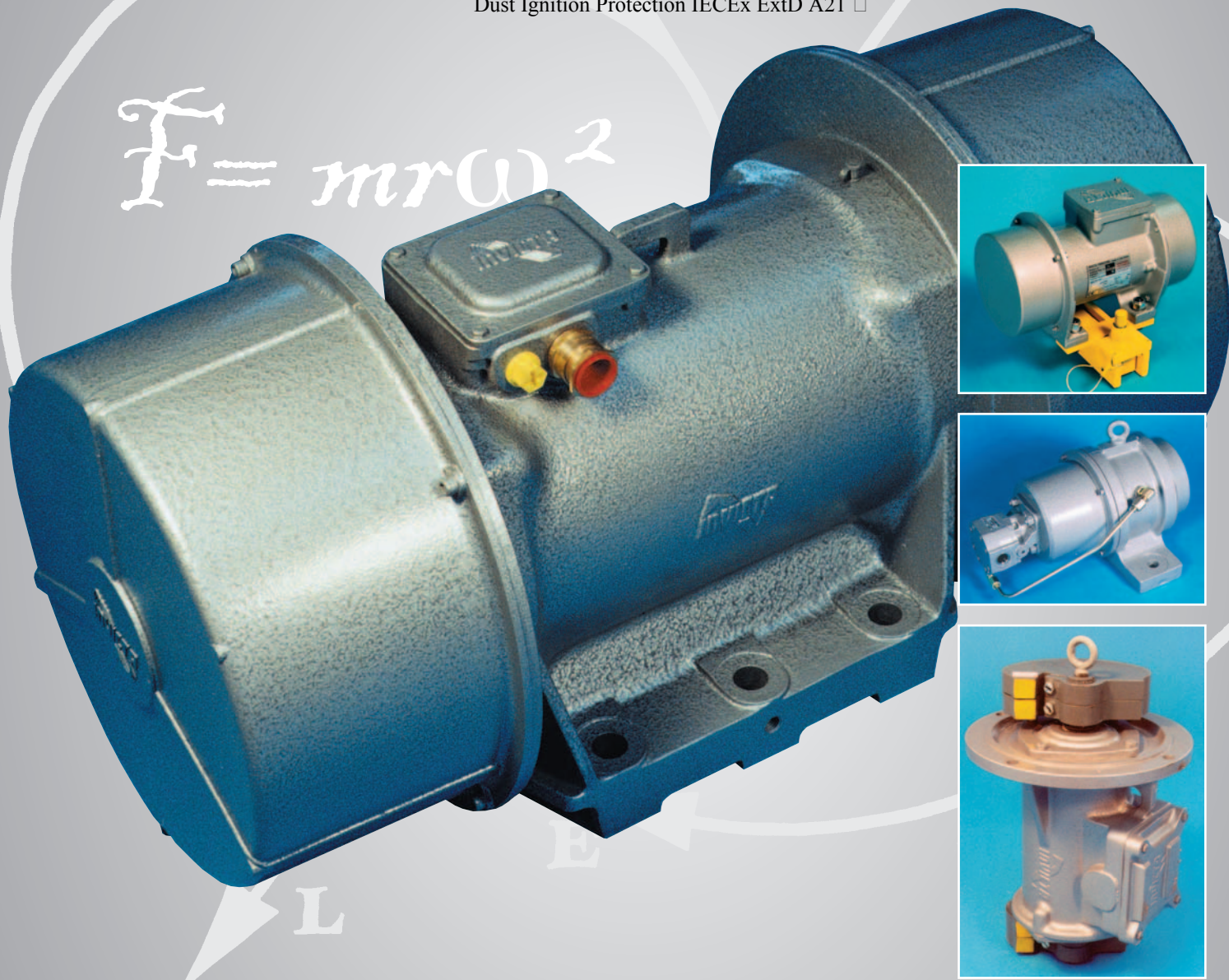
# INVICTA L series

VIBRATORS • VIBRATEURS • VIBRATOREN

Including the new **BLz**

for ATEX Group II Category 2 D Zones 21 & 22  
Dust Ignition Protection IECEx ExtD A21 □

$$F = mr\omega^2$$

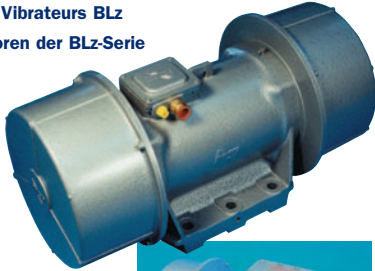




# L series VIBRATORS

## BLz Series Vibrators Pages 4/5/6/7

Séries Vibrateurs BLz  
Vibratoren der BLz-Serie



### Flameproof Vibrators

Vibrateurs  
antidéfagants  
Explosiongeschützte  
Vibratoren

Pages 8/9/10



### Linear Motion Vibrators

Vibrateurs linéaires  
Lineare Vibratoren

Page 11



### Quick Release Vibrators

Les systèmes de  
montage rapide  
Schnellentkupplungs-  
Haftung

Page 11



### Single Phase Vibrators

Les vibrateurs  
monophasé  
Wechselstrom  
Vibratoren

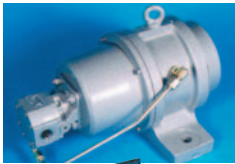
Page 11



### Hydraulic Vibrators

Les vibrateurs  
hydraulique  
Hydraulische  
Vibratoren

Page 11



### Control Systems

Systèmes de  
contrôle  
Regelgeräte

Page 11



### Single Flange Mounted Vibrators

Vibrateurs  
simple flasque  
Vibratoren mit  
Flanschausführung

Pages 12/13



### Twin Flange Vibrators

Les vibrateurs double  
bride  
Doppelflansch-  
Vibratoren

Page 11



## BASIC FEATURES...

**INVICTA L SERIES VIBRATORS** incorporate many special features to give increased life and performance to this latest range of vibrators.

### Reliability through quality...

For nearly 50 years our Grantham factory has been manufacturing vibrators to meet the extreme demands of high speed rotating and reciprocating mechanical systems. Our latest L Series of vibrators has been produced totally in-house, from the initial design concept, through the manufacturing process, to the final testing and despatch of the finished product. By undertaking all these activities ourselves we are able to control the quality of all components at every stage of manufacture. We are therefore able to say that every vibrator produced by us is inspected and tested to our own exacting standards. We are CE certified and our procedures are audited to ISO 9001 standard.

### Products

#### Base Mounted Vibrators

The BLz Series is suitable for use in non-hazardous atmospheres as well as in Zone 21 and Zone 22 areas where dust is a hazard, as defined by ATEX 95, Directive 94/9/EC. BLz vibrators are interchangeable with equivalent BL series vibrators, which have the same external dimensions and produce the same output force.

For use in atmospheres where gases or vapours may be present Invicta offer two ranges of vibrator, one approved to European and one to North American standards. **The EBK range** is approved for use in Zone 1 and Zone 2 areas as defined by ATEX95, Directive 94/9/EC (Europe) and **the ULBK range** is approved to Underwriters Laboratory Specification UL674 (North America).

#### Single Flange Vibrators

**The SFL range** of vibrators is suitable for use in non-hazardous areas on circular sieving or finishing machines.

#### Electrical Control Systems.

For starting and controlling single or multiple motor and vibrator installations Invicta produce a range of electrical starters which are protected by IP55 enclosures. Facilities for variable speed control, dynamic or phase reversal braking and remote control stations are frequently offered for use on vibratory equipment.

### Mechanical Assemblies...

- All structural components are designed for infinite life.
- Frames for the L22, L25 and above are cast from SG iron, while smaller frames are cast from aluminium alloy.
- Frames are interchangeable with equivalent K Series designs.
- Terminal box contains hard foam insert to secure incoming leads. The BLz30 - BLz75 & BLz77 base is filled with polyurethane compound.
- Rivetted weight labels to give accurate force settings.

### Bearings...

- C3 clearance bearings.
- Ball bearings on the L03 - L22, and L24/25-8/2, -7.5/4, -4/6, are sealed for life. Roller bearings fitted to all other models.
- Grease nipples are fitted to the L40 - L75.

### Windings...

- Tropicalised and resin sealed by rotary trickle impregnation.
- Phase barriers.
- Up to 690v.
- Class F insulation.
- Type PTC 160°C thermistors fitted to L24 and above.
- Continuous maximum rated (CMR).
- Conform to low voltage directive 73/23/EEC.

### End Covers...

- Fitted to base mounted vibrators.
- For BLz30 and above cast from aluminium alloy; for BLz03 - BLz25 produced from spun steel.
- Special finishes and split covers are available on request.

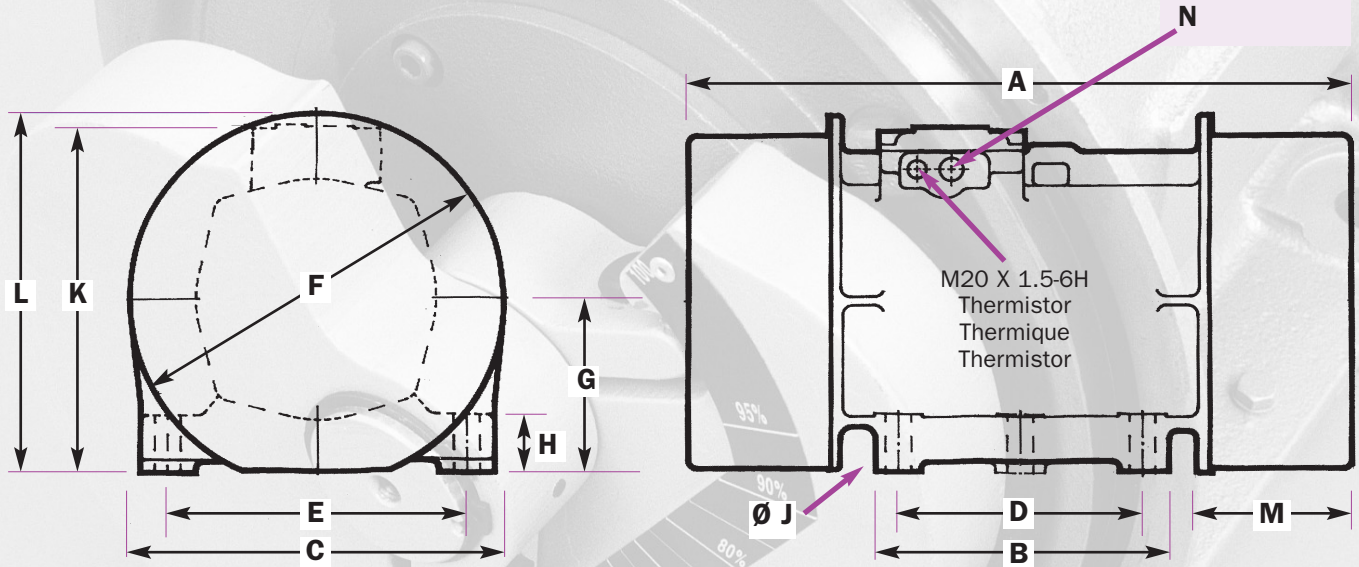
### Base Mounted Vibrators...

- All base mounted vibrators are dust and water resistant to IP66, BSEN 60529:1992.
- CSA designs.
- DIP
- BLz approved for ATEX zones 21 and 22.
- EBK approved for ATEX zones 1 and 2.
- ULBK approved by Underwriters Laboratories.



# INVICTA BLz series

VIBRATORS • VIBRATEURS • VIBRATOREN



**DESIGNATION** ...now with an indication of maximum centrifugal force output. Actual force is 100 times the figure stated, for example:

**BLz30-16/2**

- B = Base Mounted
- Lz = Series
- 30 = Frame Size
- 16 = Centrifugal force (kg) ÷ 100
- 2 = Poles

**DESIGNATION** ...la référence des appareils permet de repérer la force centrifuge maximum. Le chiffre mentionné en quatrième position correspond à la force réelle:100

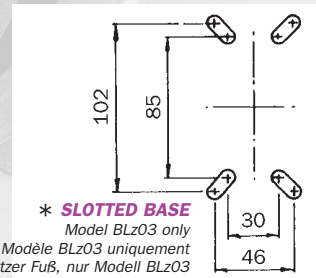
**BLz30-16/2**

- B = Vibrateur à semelle
- Lz = Série
- 30 = Type de l'appareil
- 16 = Force centrifuge (kg) ÷ 100
- 2 = Nombre de pôles

**VIBRATORBEZEICHNUNG** ...zeigt jetzt die maximale Fliehkraftleistung. Die tatsächliche Fliehkraft entspricht die angegebene Zahl x 100, z. B.:

**BLz30-16/2**

- B = mit Fußausführung
- Lz = Serie
- 30 = Rahmengröße
- 16 = Fliehkraft (kg) ÷ 100
- 2 = Pole



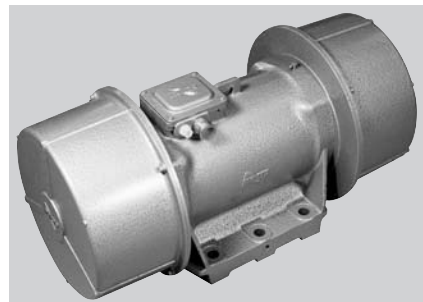
**DIMENSIONS DIMENSIONS ABMESSUNGEN**

\* SLOTTED BASE

Aluminium Alloy Frame  
Carcasse en alliage d'aluminium  
Gehäuse aus Aluminium-Legierung

MODEL	A	B	C	D	E	F	G	H	J	K	L	M	N	
<b>BLz03</b>	-1/2	232	85	125	*30/46	*85/102	112	53	8	4 x 9	141	109	40	M16x1.5-6H
	-0.5/4	232	85	125	*30/46	*85/102	112	53	8	4 x 9	141	109	40	M16x1.5-6H
	-0.2/6 ○	232	85	125	*30/46	*85/102	112	53	8	4 x 9	141	109	40	M16x1.5-6H
	-0.3/6 ◆	232	85	125	*30/46	*85/102	112	53	8	4 x 9	141	109	40	M16x1.5-6H
<b>BLz05</b>	-2/2	224	132	132	102	102	160	77	16	4 x 10.5	164	157	44	M20x1.5-6H
	-1/4	224	132	132	102	102	160	77	16	4 x 10.5	164	157	44	M20x1.5-6H
	-2/4	262	132	132	102	102	160	77	16	4 x 10.5	164	157	63	M20x1.5-6H
	-0.4/6 ○	262	132	132	102	102	160	77	16	4 x 10.5	164	157	63	M20x1.5-6H
	-0.6/6 ◆	262	132	132	102	102	160	77	16	4 x 10.5	164	157	63	M20x1.5-6H
	-0.9/6 ○	262	132	132	102	102	160	77	16	4 x 10.5	164	157	63	M20x1.5-6H
<b>BLz15</b>	-3.5/2	304	154	172	114	153	171	87	16	4 x 10.5	180	173	64	M20x1.5-6H
	-3/4	304	154	172	114	153	171	87	16	4 x 10.5	180	173	64	M20x1.5-6H
	-1.3/6 ○	304	154	172	114	153	171	87	16	4 x 10.5	180	173	64	M20x1.5-6H
	-1.9/6 ◆	304	154	172	114	153	171	87	16	4 x 10.5	180	173	64	M20x1.5-6H
<b>BLz20</b>	-5/2	270	150	171	110	140	185	87	16	4 x 14	186	179	47	M20x1.5-6H
	-5/4	330	150	171	110	140	185	87	16	4 x 14	186	179	74	M20x1.5-6H
	-2.2/6 ○	330	150	171	110	140	185	87	16	4 x 14	186	179	74	M20x1.5-6H
<b>BLz24</b>	-8/2	363	190	225	150	185	258	120	40	4 x 17	252	249	56	M20x1.5-6H
	-10/2	363	190	225	150	185	258	120	40	4 x 17	252	249	56	M20x1.5-6H
	-13/2	363	190	225	150	185	258	120	40	4 x 17	252	249	56	M20x1.5-6H
	-7.5/4	413	190	225	150	185	258	120	40	4 x 17	252	249	82	M20x1.5-6H
	-11/4	413	190	225	150	185	258	120	40	4 x 17	252	249	82	M20x1.5-6H
	-14/4	413	190	225	150	185	258	120	40	4 x 17	252	249	82	M20x1.5-6H
	-4/6	413	190	225	150	185	258	120	40	4 x 17	252	249	82	M20x1.5-6H
	-8/6	493	190	225	150	185	258	120	40	4 x 17	252	249	122	M20x1.5-6H
	-11/6	493	190	225	150	185	258	120	40	4 x 17	252	249	122	M20x1.5-6H

○ NUR/SEULEMENT 50 Hertz ONLY ◆ NUR/SEULEMENT 60 Hertz ONLY



## VIBRATORS • VIBRATEURS • VIBRATOREN

**DIMENSIONS**  
**DIMENSIONS**  
**ABMESSUNGEN**

**SG Iron Frame**  
**Carcasse en fonte SG**  
**Gehäuse aus Sphäroguss**

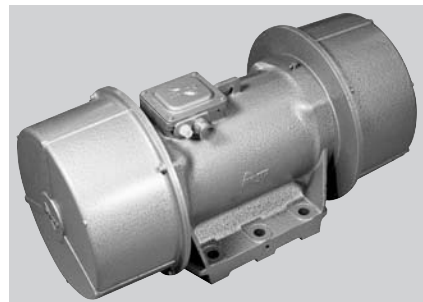
MODEL	A	B	C	D	E	F	G	H	J	K	L	M	N	
<b>BLz25</b>	-8/2	363	190	225	150	185	261	120	40	4 x 17	252	249	56	M20x1.5-6H
	-10/2	363	190	225	150	185	261	120	40	4 x 17	252	249	56	M20x1.5-6H
	-13/2	363	190	225	150	185	261	120	40	4 x 17	252	249	56	M20x1.5-6H
	-7.5/4	413	190	225	150	185	261	120	40	4 x 17	252	249	82	M20x1.5-6H
	-11/4	413	190	225	150	185	261	120	40	4 x 17	252	249	82	M20x1.5-6H
	-14/4	413	190	225	150	185	261	120	40	4 x 17	252	249	82	M20x1.5-6H
	-4/6	413	190	225	150	185	261	120	40	4 x 17	252	249	82	M20x1.5-6H
	-8/6	493	190	225	150	185	261	120	40	4 x 17	252	249	122	M20x1.5-6H
-11/6	493	190	225	150	185	261	120	40	4 x 17	252	249	122	M20x1.5-6H	
<b>BLz30</b>	-16/2	476	200	250	160	210	294	140	40	4 x 17	290	287	105	M20x1.5-6H
	-20/2	476	200	250	160	210	294	140	40	4 x 17	290	287	105	M20x1.5-6H
	-18/4	476	200	250	160	210	294	140	40	4 x 17	290	287	105	M20x1.5-6H
	-25/4	476	200	250	160	210	294	140	40	4 x 17	290	287	105	M20x1.5-6H
	-14/6	592	200	250	160	210	294	140	40	4 x 17	290	287	163	M20x1.5-6H
	-18/6	592	200	250	160	210	294	140	40	4 x 17	290	287	163	M20x1.5-6H
	-23/6	592	200	250	160	210	294	140	40	4 x 17	290	287	163	M20x1.5-6H
	-7.5/8	592	200	250	160	210	294	140	40	4 x 17	290	287	163	M20x1.5-6H
-10/8	592	200	250	160	210	294	140	40	4 x 17	290	287	163	M20x1.5-6H	
<b>BLz40</b>	-30/2	598	220	320	170	270	359	170	60	4 x 26	326	349	146	M20x1.5-6H
	-40/2	598	220	320	170	270	359	170	60	4 x 26	326	349	146	M20x1.5-6H
	-35/4	598	220	320	170	270	359	170	60	4 x 26	326	349	146	M20x1.5-6H
	-27/6	598	220	320	170	270	359	170	60	4 x 26	326	349	146	M20x1.5-6H
	-35/6	598	220	320	170	270	359	170	60	4 x 26	326	349	146	M20x1.5-6H
	-15/8 ○	598	220	320	170	270	359	170	60	4 x 26	326	349	146	M20x1.5-6H
	-17/8 ◆	598	220	320	170	270	359	170	60	4 x 26	326	349	146	M20x1.5-6H
	<b>BLz45</b>	-50/2	722	298	357	248	305	380	175	60	4 x 26	355	364	178
-45/4		722	298	357	248	305	380	175	60	4 x 26	355	364	178	M25x1.5-6H
-42/6		722	298	357	248	305	380	175	60	4 x 26	355	364	178	M25x1.5-6H
-50/6		722	298	357	248	305	380	175	60	4 x 26	355	364	178	M25x1.5-6H
-24/8		722	298	357	248	305	380	175	60	4 x 26	355	364	178	M25x1.5-6H
-35/8 ◆		722	298	357	248	305	380	175	60	4 x 26	355	364	178	M25x1.5-6H
<b>BLz50</b>	-55/4	734	298	357	248	305	430	203	60	6 x 26	402	418	153	M25x1.5-6H
	-65/4	734	298	357	248	305	430	203	60	6 x 26	402	418	153	M25x1.5-6H
	-75/4	734	298	357	248	305	430	203	60	6 x 26	402	418	153	M25x1.5-6H
	-60/6	734	298	357	248	305	430	203	60	6 x 26	402	418	153	M25x1.5-6H
	-75/6	836	298	357	248	305	430	203	60	6 x 26	402	418	204	M25x1.5-6H
	-35/8 ○	734	298	357	248	305	430	203	60	6 x 26	402	418	204	M25x1.5-6H
	-45/8	836	298	357	248	305	430	203	60	6 x 26	402	418	204	M25x1.5-6H
	-55/8 ○	836	298	357	248	305	430	203	60	6 x 26	402	418	204	M25x1.5-6H
-57/8 ◆	836	298	357	248	305	430	203	60	6 x 26	402	418	204	M25x1.5-6H	
<b>BLz60</b>	-95/4	844	295	454	235	394	490	233	70	6 x 26	453	478	187	M32x1.5-6H
	-105/4	844	295	454	235	394	490	233	70	6 x 26	453	478	187	M32x1.5-6H
	-90/6	844	295	454	235	394	490	233	70	6 x 26	453	478	187	M32x1.5-6H
	-105/6	844	295	454	235	394	490	233	70	6 x 26	453	478	187	M32x1.5-6H
	-125/6	1148	295	454	235	394	490	233	70	6 x 26	453	478	348	M32x1.5-6H
	-65/8 ○	844	295	454	235	394	490	233	70	6 x 26	453	478	187	M32x1.5-6H
	-70/8 ◆	844	295	454	235	394	490	233	70	6 x 26	453	478	187	M32x1.5-6H
	-90/8 ○	1176	295	454	235	394	490	233	70	6 x 26	453	478	348	M32x1.5-6H
	-90/8 ◆	844	295	454	235	394	490	233	70	6 x 26	453	478	187	M32x1.5-6H
<b>BLz75</b>	-130/4	826	295	454	235	394	493	233	70	6 x 31	453	478	187	M32x1.5-6H
	-150/6	1148	295	454	235	394	493	233	70	6 x 31	453	478	348	M32x1.5-6H
	-185/6	1148	295	454	235	394	493	233	70	6 x 31	453	478	348	M32x1.5-6H
	-124/8 ○	1288	295	454	235	394	493	233	70	6 x 31	453	478	420	M32x1.5-6H
	-135/8	1288	295	454	235	394	493	233	70	6 x 31	453	478	420	M32x1.5-6H
	-150/8 ◆	1148	295	454	235	394	493	233	70	6 x 31	453	478	348	M32x1.5-6H
	-150/8 ○	1288	295	454	235	394	493	233	70	6 x 31	453	478	420	M32x1.5-6H

**ALSO AVAILABLE/VALABLE AUSSI POUR/AUCH VERFÜGBAR...**

MODEL	A	B	C	D	E	F	G	H	J	K	L	M	N	
<b>BL22</b>	-5/2	270	150	171	110	140	185	87	16	4 x 14	186	179	74	M20x1.5-6H
	-5/4	330	150	171	110	140	185	87	16	4 x 14	186	179	74	M20x1.5-6H
	7.2/4 ◆	330	150	171	110	140	185	87	16	4 x 14	186	179	74	M20x1.5-6H
	-2.2/6 ○	330	150	171	110	140	185	87	16	4 x 14	186	179	74	M20x1.5-6H
<b>BL77</b>	200/8 ◆	1288	295	474	235	394	493	233	70	6 x 38	453	478	420	M32x1.5-6H

○ NUR/SEULEMENT 50 Hertz ONLY ◆ NUR/SEULEMENT 60 Hertz ONLY

## VIBRATORS • VIBRATEURS • VIBRATOREN



The **BLz Range** of vibrators is suitable for normal environments and also for Zone 21 and 22 areas where dust is a hazard as defined by ATEX Directive 94/9/EC (II 2 D).

La **Série BLz** a été conçue pour les atmosphères non explosives comme la Zone 21 et la Zone 22 où la poussière est un risque, comme défini dans la DIRECTIVE 94/9/EC - ATEX 95 (II 2 D).

Die **Vibratoren der BLz-Reihe** sind für den Gebrauch in normalen Umgebungen geeignet, sowie in den Zonen 21 und 22 wo Staub eine potentielle Gefahr darstellt (gemäß ATEX-Richtlinie 94/9/EG (II 2 D)).

**EN 50281**

**DIP IEC 61241**

● 2 POLE/2 POLES/2 POLE ● 2880/3456 RPM ● 50/60 HERTZ											
FRAME SIZE TYPE GEHÄUSEGRÖSSE	TEMP. CLASS CLASSE KLASSE	CENTRIFUGAL FORCE FORCE CENTRIFUGE FLIEHKRAFT		WORKING MOMENT (X2) MOMENT DE TRAVAIL ARBEITSMOMENT		input	WATTS		output	WEIGHT POIDS GEWICHT (kg)	
		50 Hz & 60 Hz		kg. cm.		D'entrée	PUISSANCE		De sortie	50 Hz 60 Hz	
		kg	Newtons	50 Hz	60 Hz	Auf	LEISTUNG	Ab	50 Hz	60 Hz	
<b>BLz03</b> - 1/2	T5	100	981	2.16	1.5	170		120		5	4.8
<b>BLz05</b> - 2/2	T4	200	1962	4.3	3.0	335		200		8.5	8.2
<b>BLz15</b> - 3.5/2	T4	350	3433	7.6	5.3	450		300		11	10.7
<b>BLz20</b> - 5/2	T4	500	4905	10.8	7.5	450		400		12	11.6
<b>BLz24</b> - 8/2	T4	800	7848	17.2	12.0	665		500		27	26.5
<b>BLz24</b> - 10/2	T4	1000	9810	21.6	15.0	665		500		27.5	27
<b>BLz24</b> - 13/2	T4	1300	12753	28.0	19.5	665		500		28	27.5
<b>BLz25</b> - 8/2	T4	800	7848	17.2	12.0	665		500		37	36.5
<b>BLz25</b> - 10/2	T4	1000	9810	21.6	15.0	665		500		37.5	37
<b>BLz25</b> - 13/2	T4	1300	12753	28.0	19.5	665		500		38	37.5
<b>BLz30</b> - 16/2	T4	1600	15696	34.5	24.0	1410		1100		61	60
<b>BLz30</b> - 20/2	T4	2000	19620	43.2	30.0	1410		1100		62	61
<b>BLz40</b> - 30/2	T4	3000	29430	64.7	44.9	1875		1500		97	96
<b>BLz40</b> - 40/2	T4	4000	39240	86.3	60.0	1875		1500		102	101
<b>BLz45</b> - 50/2	T4	5000	49050	108.0	75.0	4632		4000		150	146
● 4 POLE/4 POLES/4 POLE ● 1440/1728 RPM ● 50/60 HERTZ											
<b>BLz03</b> - 0.5/4	T4	50	490	4.3	3.0	195		100		5.5	5.2
<b>BLz05</b> - 1/4	T4	100	981	8.6	6.0	240		175		9	8.6
<b>BLz05</b> - 2/4	T4	200	1962	17.2	12.0	240		175		10.5	10.1
<b>BLz15</b> - 3/4	T4	300	2943	26.0	18.0	450		300		13	12.2
<b>BLz20</b> - 5/4	T4	500	4905	43.1	29.9	450		350		17	16
<b>BLz24</b> - 7.5/4	T4	750	7357	64.7	44.9	675		500		32	31
<b>BLz24</b> - 11/4	T4	1100	10790	94.9	65.9	675		500		35	33
<b>BLz24</b> - 14/4	T4	1400	13735	121	84.0	675		500		38	36
<b>BLz25</b> - 7.5/4	T4	750	7357	64.7	44.9	675		500		42	41
<b>BLz25</b> - 11/4	T4	1100	10790	94.9	65.9	675		500		45	43
<b>BLz25</b> - 14/4	T4	1400	13735	121	84.0	675		500		47	45
<b>BLz30</b> - 18/4	T4	1800	17658	155	107.6	1335		1150		75	72
<b>BLz30</b> - 25/4	T4	2500	24525	216	150	1335		1150		78	75
<b>BLz40</b> - 35/4	T4	3500	34335	302	209	2150		1800		112	109
<b>BLz45</b> - 45/4	T4	4500	44145	388	269	3050		2685		153	149
<b>BLz50</b> - 55/4	T4	5500	53955	474	329	3740		3350		202	197
<b>BLz50</b> - 65/4	T4	6500	63765	560	388	5280		4800		231	225
<b>BLz50</b> - 75/4	T4	7500	73575	647	449	5280		4800		235	229
<b>BLz60</b> - 95/4	T4	9500	93195	820	569	8410		7750		362	355
<b>BLz60</b> - 105/4	T4	10500	103000	906	629	8410		7750		366	359
<b>BLz75</b> - 130/4	T4	13000	127530	1122	779	11020		10250		430	420

○ NUR/SEULEMENT 50 Hertz ONLY ◆ NUR/SEULEMENT 60 Hertz ONLY

**PERFORMANCE DATA** -20°C to +40°C  
**CARACTERISTIQUES TECHNIQUES** -20°C à +40°C  
**TECHNISCHE DATEN** -20°C bis +40°C

● 6 POLE/6 POLES/6 POLE ● 960/1152 RPM ● 50/60 HERTZ										
FRAME SIZE TYPE GEHÄUSEGRÖSSE	TEMP. CLASS KLASSE	CENTRIFUGAL FORCE FORCE CENTRIFUGE FLIEHKRAFT		WORKING MOMENT (X2) MOMENT DE TRAVAIL ARBEITSMOMENT		input	WATTS	output	WEIGHT POIDS GEWICHT (kg)	
		50 Hz & 60 Hz		kg. cm.		D'entrée	PUISSANCE	De sortie		
		kg	Newtons	50 Hz	60 Hz	Auf	LEISTUNG	Ab	50 Hz	60 Hz
BLz03 - 0.2/6 ○	T5	22	216	4.3	-	143		70	5.5	-
BLz03 - 0.3/6 ◆	T5	32	314	-	4.3	143		70	-	5.5
BLz05 - 0.4/6 ○	T4	40	392	7.8	-	204		90	9	-
BLz05 - 0.6/6 ◆	T4	60	589	-	11.6	204		90	-	9
BLz05 - 0.9/6 ○	T4	90	883	17.5	-	204		90	10.5	-
BLz05 - 1.3/6 ◆	T4	130	1275	-	17.5	204		90	-	10.5
BLz15 - 1.3/6 ○	T4	130	1275	25.2	-	245		110	13	-
BLz15 - 1.9/6 ◆	T4	190	1864	-	29.6	245		110	-	13
BLz20 - 2.2/6 ○	T4	220	2158	42.7	-	321		150	17	-
BLz24 - 4/6	T4	400	3924	77.6	53.8	747		510	34	32
BLz24 - 8/6	T4	800	7848	155	107.6	747		510	43	40
BLz24 - 11/6	T4	1100	10790	213	148	747		510	49	45
BLz25 - 4/6	T4	400	3924	77.6	53.8	747		510	43	41
BLz25 - 8/6	T4	800	7848	155	107.6	747		510	51	48
BLz25 - 11/6	T4	1100	10790	213	148	747		510	58	53
BLz30 - 14/6	T4	1400	13734	271	188	1165		900	87	82
BLz30 - 18/6	T4	1800	17658	349	242	1165		900	90	85
BLz30 - 23/6	T4	2300	22563	446	309	1165		900	99	93
BLz40 - 27/6	T4	2700	26487	524	364	2290		1800	129	124
BLz40 - 35/6	T4	3500	34335	680	468	2290		1800	143	136
BLz45 - 42/6	T4	4200	41200	815	566	2690		2310	183	171
BLz45 - 50/6	T4	5000	49050	970	673	2690		2310	190	181
BLz50 - 60/6	T4	6000	58860	1164	808	4530		4000	259	248
BLz50 - 75/6	T4	7500	73575	1455	1010	4530		4000	288	274
BLz60 - 90/6	T4	9000	88290	1746	1212	6630		6200	423	408
BLz60 - 105/6	T4	10500	103000	2037	1414	6630		6200	432	416
BLz60 - 125/6	T4	12500	122625	2425	1685	10820		10000	515	500
BLz75 - 150/6	T4	15000	147150	2910	2020	10820		10000	548	525
BLz75 - 185/6	T4	18500	181485	3589	2491	10820		10000	578	548
● 8 POLE/8 POLES/8 POLE ● 720/864 RPM ● 50/60 HERTZ										
BLz30 - 7.5/8	T4	750	7357	259	180	730		500	89	84
BLz30 - 10/8	T4	1000	9810	345	239	730		500	94	89
BLz40 - 15/8 ○	T4	1500	14715	517	-	1530		1100	127	-
BLz40 - 17/8 ◆	T4	1700	16677	-	406	1530		1100	-	122
BLz45 - 24/8	T4	2430	23838	838	581	2465		2000	180	174
BLz45 - 35/8 ◆	T4	3500	34335	-	838	2465		2000	-	180
BLz50 - 35/8 ○	T5	3500	34335	1207	-	3780		3300	266	-
BLz50 - 45/8	T5	4500	44145	1552	1077	3780		3300	298	281
BLz50 - 55/8 ○	T5	5500	53955	1897	-	3780		3300	326	-
BLz50 - 57/8 ◆	T5	5700	55917	-	1362	3780		3300	-	305
BLz60 - 65/8 ○	T4	6500	63765	2242	-	5645		4900	434	-
BLz60 - 70/8 ◆	T4	7000	68670	-	1673	5645		4900	-	421
BLz60 - 90/8	T4	9000	88290	3105	2155	5645		4900	484	433
BLz75 - 124/8 ○	T4	12400	121644	4279	-	8940		7750	630	-
BLz75 - 135/8	T4	13500	132435	4658	3235	8940		7750	682	600
BLz75 - 150/8	T4	15000	147150	5174	3592	8940		7750	702	621

**ALSO AVAILABLE/VALABLE AUSSI POUR/AUCH VERFÜGBAR...**

BL22 - 5/2		500	4905	10.8	7.5	450		400	19	19
BL22 - 5/4		500	4905	43.1	29.9	450		350	24	23
BL22 - 7.2/4 ◆		720	7063	-	43.1	450		350	-	24
BL22 - 2.2/6 ○		220	2158	42.7	-	321		150	24	-
BL77 - 200/8 ◆		20000	196200	-	4793	8940		7750	-	702

○ NUR/SEULEMENT 50 Hertz ONLY ◆ NUR/SEULEMENT 60 Hertz ONLY

# INVICTA vibrators ...represented throughout the World



## INVICTA VIBRATORS

A Division of

### Grantham Engineering Limited

Harlaxton Road, Grantham,  
Lincolnshire NG31 7SF, England.

Tel: +44 (0)1476 566301

Fax: +44 (0)1476 590145

E-mail: [sales@invictavibrators.co.uk](mailto:sales@invictavibrators.co.uk)

Web Site: [www.invictavibrators.co.uk](http://www.invictavibrators.co.uk)

P1958 Issue D/MW5232



GB2000535

Distributed by:

**TECO** TECO Australia Pty. Ltd.

Sydney Head Office:

335-337 Woodpark Road, Smithfield, NSW 2164

Tel: 02 9765 8118 Fax: 02 9604 9330

Brisbane Office; Tel: 07 3373 9600 Fax 07 3373 9699

Melbourne Office; Tel: 03 9720 4411 Fax: 03 9720 5355

Perth Office; Tel: 08 9479 4879 Fax 08 9478 3876

TECO New Zealand Pty Ltd

Unit 3, 477 Great South Road, Penrose, Auckland

Tel; (64) 9 526 8480 Fax: (64) 9 526 8484

E-mail: [emd@teco.com.au](mailto:emd@teco.com.au)

Web Site: [www.teco.com.au](http://www.teco.com.au)

● The information in this booklet is issued as a guide and is not intended to be definitive. All reference to technical and commercial information is subject to our conditions of sale and gaining our written consent.

● Ce document n'est pas contractuel et peut être soumis à modifications. Les informations techniques et commerciales mentionnées sur ce guide se réfèrent à nos conditions générales de vente et seront confirmées par écrit.

● Die in dieser Broschüre enthaltenen kommerziellen und technischen Informationen unterliegen unseren allgemeinen Verkaufsbedingungen und bedürfen der schriftlichen Bestätigung.