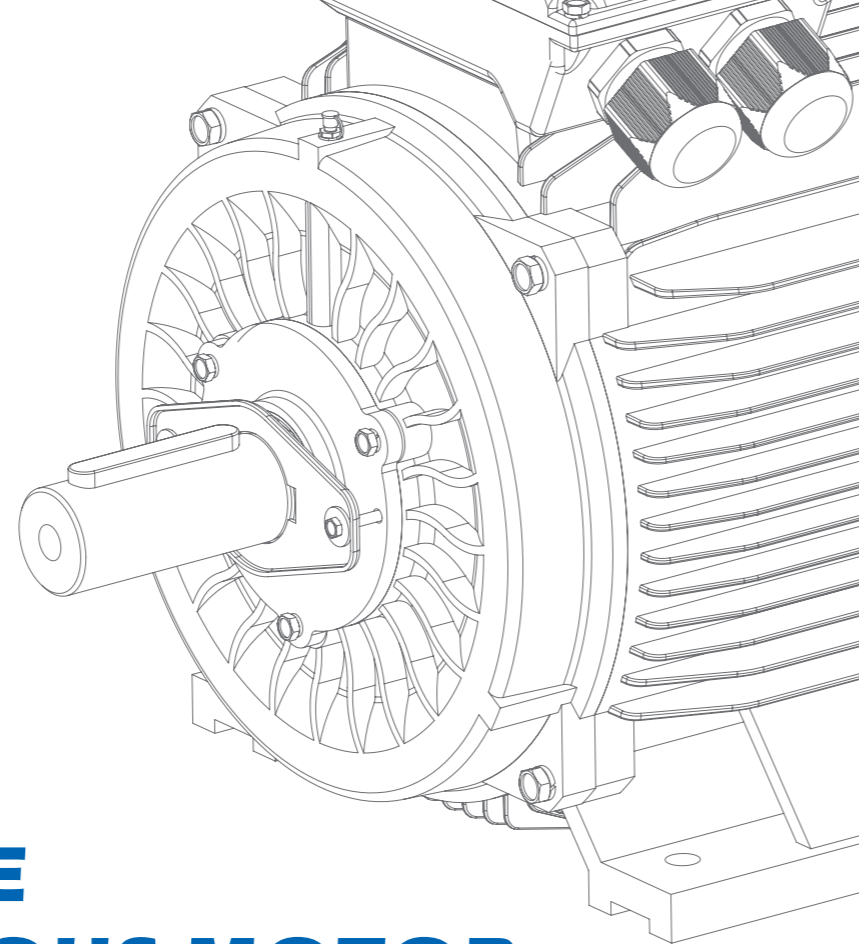


Crompton



IE2 IE3

THREE-PHASE ASYNCHRONOUS MOTOR



Crompton



GUANGLU



YESTERDAY
Tomorrow
Today
GUANGLU, step by step in the highest flight



BRIEF INTRODUCTION

Located in ShanShi Industrial park of Taizhou City, border on the picturesque scenery East China Sea, China · GuangLu Electrical Co., Ltd. Enjoys convenient transportation by water, land and air. The company occupies 25 thousand square meters and owns advanced producing equipments, it is a company specialized in electrical machinery manufacturing with all kinds of classifications, it is a member of Small and Medium-Sized Enterprises Electrical motor factory in the whole nation, it is a cooperated company with ShangHai Testing & Inspection. Institute .





Crompton



TECHNICAL DATA OF IE2 SERIES

NO.	Frame reference and size	Rated power	Full load speed in revolutions per minute	Full load current at rated voltage	Efficiency	Power factor	Direct on line starting torque ratio	Direct on line starting current ratio	Direct on line pull out torque ratio	Mean sound pressure level @ 1m on no load	Voltage
	Type	Output kW	Speed r/min	Amps A	EFF. %	P.F. cosφ	LRT/RLT	LRA/RLA	BDT/RLT	Noise LwdB (A)	Voltage V
1	IE2-80M1-2	0.75	2850	1.7	77.4	0.82	2.3	6.8	2.3	62	400
2	IE2-80M2-2	1.1	2870	2.4	79.6	0.83	2.3	7.1	2.3	62	400
3	IE2-90S-2	1.5	2880	3.2	81.3	0.84	2.3	7.3	2.3	67	400
4	IE2-90L-2	2.2	2880	4.5	83.2	0.85	2.3	7.6	2.3	67	400
5	IE2-100L1-2	3	2880	5.9	84.6	0.87	2.2	7.8	2.3	74	400
6	IE2-112M-2	4	2900	7.6	85.8	0.88	2.3	8.1	2.3	77	400
7	IE2-132S1-2	5.5	2910	10.4	87	0.88	2.2	8.2	2.3	79	400
8	IE2-132S2-2	7.5	2910	13.8	88.1	0.89	2.2	7.8	2.3	79	400
9	IE2-160M1-2	11	2940	20	89.4	0.89	2.2	7.9	2.3	81	400
10	IE2-160M2-2	15	2940	26.9	90.3	0.89	2.2	8	2.3	81	400
11	IE2-160L-2	18.5	2940	33	90.9	0.89	2.2	8	2.3	81	400
12	IE2-180M-2	22	2950	39.1	91.3	0.89	2.2	8.1	2.3	83	400
13	IE2-200L1-2	30	2960	52.9	92	0.89	2	7.5	2.3	84	400
14	IE2-200L2-2	37	2960	64.9	92.5	0.89	2	7.5	2.3	84	400
15	IE2-225M-2	45	2960	78.6	92.9	0.89	2.2	7.5	2.3	86	400
16	IE2-250M-2	55	2970	96	93.2	0.89	2.2	7.6	2.3	89	400
17	IE2-280S-2	75	2975	130	93.8	0.89	2	6.9	2.3	91	400
18	IE2-280M-2	90	2975	155	94.1	0.89	2	6.9	2.3	91	400
19	IE2-315S-2	110	2975	187	94.3	0.9	2	7	2.2	92	400
20	IE2-315M-2	132	2975	224	94.6	0.9	2	7	2.2	92	400
21	IE2-315L1-2	160	2975	268	94.8	0.91	2	7.1	2.2	92	400
22	IE2-315L2-2	200	2975	334	95	0.91	2	7.1	2.2	92	400
23	IE2-355M-2	250	2980	418	95	0.91	1.6	7.1	2.2	100	400
24	IE2-355L-2	315	2980	526	95	0.91	1.6	7.2	2.2	100	400
25	IE2-80M2-4	0.75	1420	1.8	79.6	0.76	2.3	6.4	2.3	56	400
26	IE2-90S-4	1.1	1420	2.6	81.4	0.77	2.3	6.6	2.3	59	400
27	IE2-90L-4	1.5	1420	3.5	82.8	0.78	2.3	6.7	2.3	59	400
28	IE2-100L1-4	2.2	1440	4.7	84.3	0.8	2.3	7.3	2.3	64	400
29	IE2-100L2-4	3	1440	6.2	85.5	0.81	2.3	7.5	2.3	64	400
30	IE2-112M-4	4	1445	8.1	86.6	0.81	2.3	7.5	2.3	65	400
31	IE2-132S-4	5.5	1450	11.1	87.7	0.82	2	7.5	2.3	71	400
32	IE2-132M-4	7.5	1450	14.7	88.7	0.83	2	7.3	2.3	71	400
33	IE2-160M-4	11	1470	21.3	89.8	0.83	2.2	7.4	2.3	73	400
34	IE2-160L-4	15	1470	28.4	90.6	0.84	2.2	7.5	2.3	73	400
35	IE2-180M-4	18.5	1470	34.4	91.2	0.85	2.2	7.6	2.3	76	400
36	IE2-180L-4	22	1470	40.8	91.6	0.85	2.2	7.7	2.3	76	400



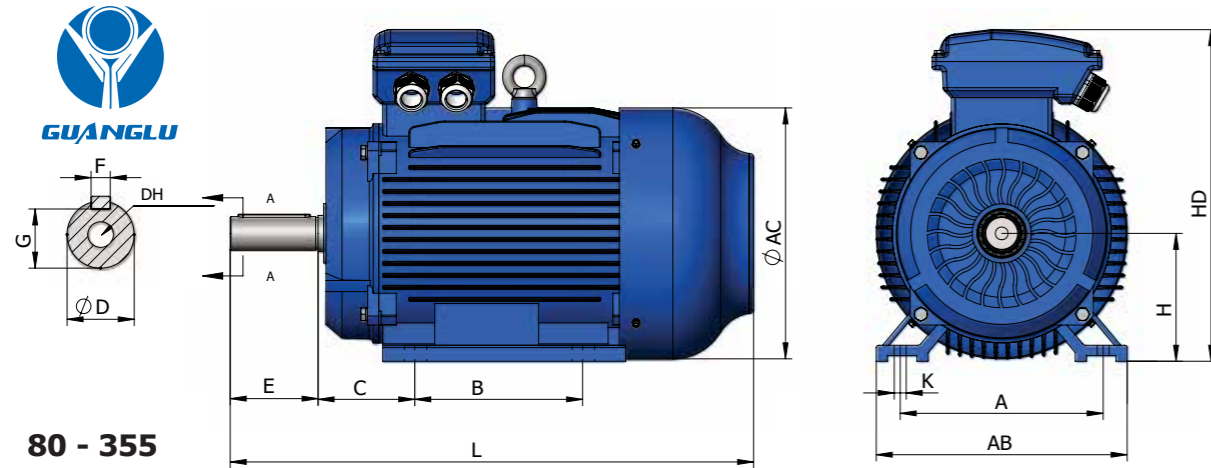
Crompton



TECHNICAL DATA OF IE2 SERIES

NO.	Frame reference and size	Rated power	Full load speed in revolutions per minute	Full load current at rated voltage	Efficiency	Power factor	Direct on line starting torque ratio	Direct on line starting current ratio	Direct on line pull out torque ratio	Mean sound pressure level @ 1m on no load	Voltage
	Type	Output kW	Speed r/min	Amps A	EFF. %	P.F. cosφ	LRT/RLT	LRA/RLA	BDT/RLT	Noise LwdB (A)	Voltage V
37	IE2-200L-4	30	1470	55.2	92.3	0.85	2.2	7.1	2.3	76	400
38	IE2-225S-4	37	1480	67	92.7	0.86	2.2	7.3	2.3	78	400
39	IE2-225M-4	45	1480	81.1	93.1	0.86	2.2	7.3	2.3	78	400
40	IE2-250M-4	55	1480	99	93.5	0.86	2.2	7.3	2.3	79	400
41	IE2-280S-4	75	1480	132	94	0.87	2.2	6.8	2.3	80	400
42	IE2-280M-4	90	1480	157	94.2	0.88	2.2	6.9	2.3	80	400
43	IE2-315S-4	110	1480	189	94.5	0.89	2.1	6.9	2.2	88	400
44	IE2-315M-4	132	1480	226	94.7	0.89	2.1	6.9	2.2	88	400
45	IE2-315L1-4	160	1480	270	94.9	0.9	2.2	6.9	2.2	88	400
46	IE2-315L2-4	200	1480	337	95.1	0.9	2.1	6.9	2.2	88	400
47	IE2-355M-4	250	1490	422	95.1	0.9	2.1	6.9	2.2	95	400
48	IE2-355L-4	315	1490	531	95.1	0.9	2.1	6.9	2.2	95	400
49	IE2-90S-6	0.75	930	2	75.9	0.71	2	5.8	2.1	57	400
50	IE2-90L-6	1.1	930	2.8	78.1	0.72	2	5.9	2.1	57	400
51	IE2-100L1-6	1.5	930	3.7	79.8	0.72	2	5.9	2.1	61	400
52	IE2-112M-6	2.2	945	5.4	81.8	0.72	2.1	6.2	2.1	65	400
53	IE2-132S-6	3	960	7.1	83.3	0.72	2	6.4	2.1	69	400
54	IE2-132M1-6	4	965	9.2	84.6	0.74	2	6.6	2.1	69	400
55	IE2-132M2-6	5.5	965	12.3	86	0.75	2	6.8	2.1	69	400
56	IE2-160M-6	7.5	970	15.9	87.2	0.78	2.1	6.8	2.1	73	400
57	IE2-160L-6	11	970	22.7	88.7	0.79	2.1	6.9	2.1	73	400
58	IE2-180L-6	15	980	29.8	89.7	0.81	2	7.3	2.1	73	400
59	IE2-200L1-6	18.5	980	36.5	90.4	0.81	2.1	7.2	2.1	73	400
60	IE2-200L2-6	22	980	43.1	90.9	0.81	2.1	7.3	2.1	73	400
61	IE2-225M-6	30	980	57.6	91.7	0.82	2	6.8	2.1	74	400
62	IE2-250M-6	37	980	69.8	92.2	0.83	2.1	7	2.1	76	400
63	IE2-280S-6	45	980	82	92.7	0.85	2.1	7.2	2	78	400
64	IE2-280M-6	55	980	100	93.1	0.85	2.1	7.2	2	78	400
65	IE2-315S-6	75	990	136	93.7	0.85	2	6.5	2	83	400
66	IE2-315M-6	90	990	163	94	0.85	2	6.6	2	83	400
67	IE2-315L1-6	110	990	198	94.3	0.85	2	6.6	2	83	400
68	IE2-315L2-6	132	990	234	94.6	0.86	2	6.6	2	83	400
69	IE2-315L2-6	160	990	283	94.8	0.86	1.9	6.7	2	85	400
70	IE2-355M2-6	200	990	353	95	0.86	2	6.8	2	85	400
71	IE2-355L-6	250	990	442	95	0.86	2	6.8	2	85	400

Crompton

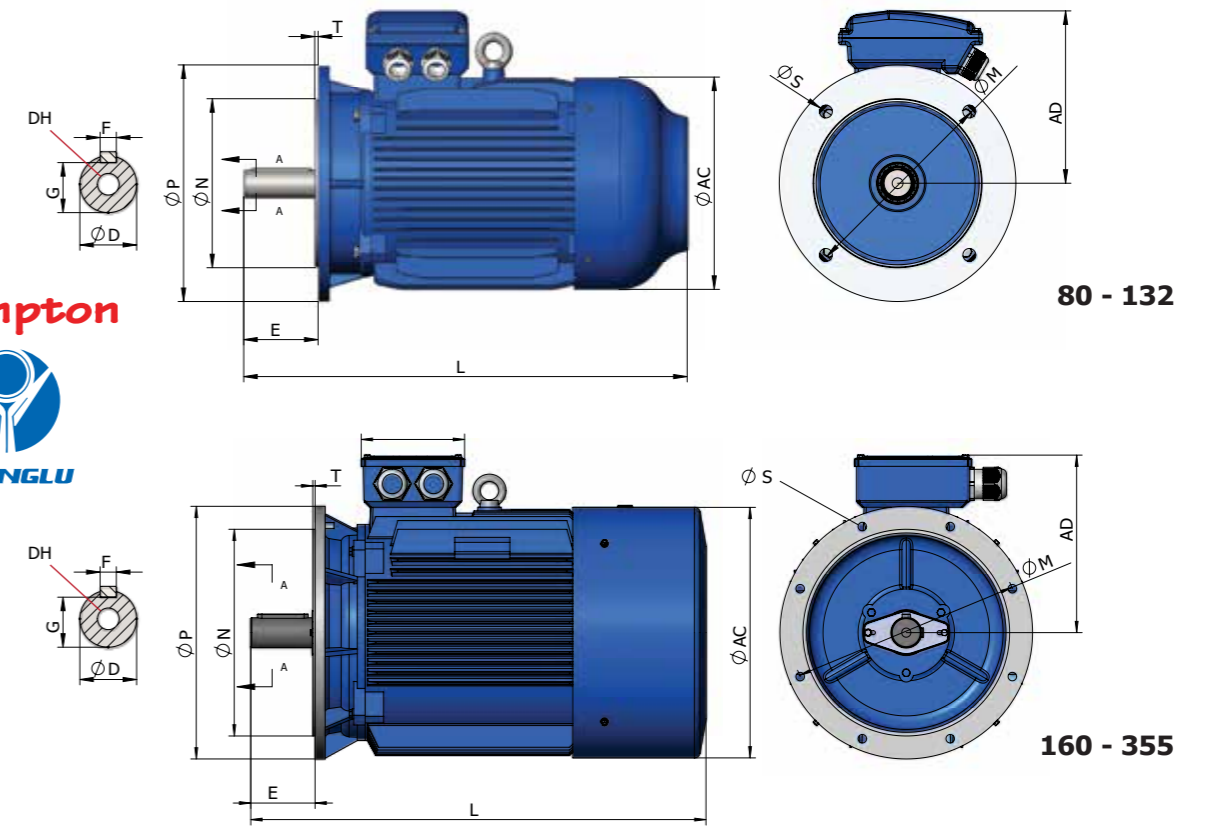


80 - 355

FRAME WITH FEET AND END-SHIELD WITHOUT FLANGE(IM B3)

FRAME SIZE	POLES	A	A/2	B	C	D	E	F	G	H	K	AB	AC	AD	HD	L	DH*
80M	2 4 6	125	62.5	100	50	19	40	6	15.5	80	10	153	157	140	220	295	M6X16
90S	2 4 6	140	70	100	56	24	50	8	20	90	10	177	177	150	240	327	M8X19
90L	2 4 6	140	70	125	56	24	50	8	20	90	10	177	177	150	240	357	M8X19
100L	2 4 6	160	80	140	63	28	60	8	24	100	12	196	197	167	267	403	M10X22
112M	2 4 6	190	95	140	70	28	60	8	24	112	12	226	219	177	289	430	M10X22
132S	2 4 6	216	108	140	89	38	80	10	33	132	12	260	258	196	328	460	M12X28
132M	2 4 6	216	108	178	89	38	80	10	33	132	12	260	258	196	328	499	M12X28
160M	2 4 6	254	127	210	108	42	110	12	37	160	15	314	314	255	415	615	M16X36
160L	2 4 6	254	127	254	108	42	110	12	37	160	15	314	314	255	415	660	M16X36
180M	2 4 6	279	139.5	241	121	48	110	14	42.5	180	15	355	356	270	450	700	M16X36
180L	2 4 6	279	139.5	279	121	48	110	14	42.5	180	15	355	356	270	450	740	M16X36
200L	2 4 6	318	159	305	133	55	110	16	49	200	19	395	397	302	502	770	M20X42
225S	4	356	178	286	149	60	140	18	53	225	19	435	445	323	548	815	M20X42
225M	2	356	178	311	149	55	110	16	49	225	19	435	445	323	548	825	M20X42
	4 6	356	178	311	149	60	140	18	53	225	19	435	445	323	548	845	M20X42
250M	2	406	203	349	168	60	140	18	53	250	24	490	485	372	622	920	M20X42
	4 6	406	203	349	168	65	140	18	58	250	24	490	485	372	622	920	M20X42
280S	2	457	228.5	368	190	65	140	18	58	280	24	542	546	390	670	991	M20X42
	4 6	457	228.5	368	190	75	140	20	67.5	280	24	542	546	390	670	991	M20X42
280M	2	457	228.5	419	190	65	140	18	58	280	24	542	546	390	670	1046	M20X42
	4 6	457	228.5	419	190	75	140	20	67.5	280	24	542	546	390	670	1046	M20X42
315S	2	508	254	406	216	65	140	18	58	315	28	628	620	540	855	1185	M20X42
	4 6	508	254	406	216	80	170	22	71	315	28	628	620	540	855	1220	M20X42
315M	2	508	254	457	216	65	140	18	58	315	28	628	620	540	855	1290	M20X42
	4 6	508	254	457	216	80	170	22	71	315	28	628	620	540	855	1325	M20X42
315L	2	508	254	508	216	65	140	18	58	315	28	628	620	540	855	1290	M20X42
	4 6	508	254	508	216	80	170	22	71	315	28	628	620	540	855	1325	M20X42
355M	2	610	305	560	254	75	140	20	67.5	355	28	726	700	647	1002	1484	M20X42
	4 6	610	305	560	254	95	170	25	86	355	28	726	700	647	1002	1514	M20X42
355L	2	610	305	630	254	75	140	20	67.5	355	28	726	700	647	1002	1484	M20X42
	4 6	610	305	630	254	95	170	25	86	355	28	726	700	647	1002	1514	M20X42

Crompton



80 - 132

160 - 355

FRAME WITHOUT FEET AND END-SHIELD WITH FLANGE(IM B5)

FRAME SIZE	POLES	D	E	F	G	M	N	P	S	T	FLANGE HOLES	AC	AD	HD	L	DH*
80M	2 4 6	19	40	6	15.5	165	130	200	12	3.5	4	157	140	220	295	M6X16
90S	2 4 6	24	50	8	20	165	130	200	12	3.5	4	177	150	240	327	M8X19
90L	2 4 6	24	50	8	20	165	130	200	12	3.5	4	177	150	240	357	M8X19
100L	2 4 6	28	60	8	24	215	180	250	15	4	4	197	167	267	403	M10X22
112M	2 4 6	28	60	8	24	215	180	250	15	4	4	219	177	289	430	M10X22
132S	2 4 6	38	80	10	33	265	230	300	15	4	4	258	196	328	460	M12X28
132M	2 4 6	38	80	10	33	265	230	300	15	4	4	258	196	328	499	M12X28
160M	2 4 6	42	110	12	37	300	250	350	19	5	4	314	255	415	615	M16X36
160L	2 4 6	42	110	12	37	300	250	350	19	5	4	314	255	415	660	M16X36
180M	2 4 6	48	110	14	42.5	300	250	350	19	5	4	356	270	450	700	M16X36
180L	2 4 6	48	110	14	42.5	300	250	350	19	5	4	356	270	450	740	M16X36
200L	2 4 6	55	110	16	49	350	300	400	19	5	4	397	302	502	770	M20X42
225S	4	60	140	18	53	400	350	450	19	5	8	445	323	548	815	M20X42
225M	2	55	110	16	49	400	350	450	19	5	8	445	323	548	825	M20X42
	4 6	60	140	18	53	400	350	450	19	5	8	445	323	548	845	M20X42
250M	2	60	140	18	53	500	450	550	19	5	8	485	372	622	920	M20X42
	4 6	65	140	18	58	500	450	550	19	5	8	485	372	622	920	M20X42
280S	2	65	140	18	58	500	450	550	19	5	8	546	390	670	991	M20X42
	4 6	75	140	20	67.5	500	450	550	19	5	8	546	390	670	991	M20X42
280M	2	65	140	18	58	500	450	550	19	5	8	546	390	670	1046	M20X42
	4 6	75	140	20	67.5	500	450	550	19	5	8	546	390	670	1046	M20X42



Crompton



TECHNICAL DATA OF IE3 SERIES

NO.	Frame reference and size	Rated power Output kW	Full load speed in revolutions per minute Speed r/min	Full load current at rated voltage Amps A	Efficiency EFF. %	Power factor P.F. cosφ	Direct on line starting torque ratio	Direct on line starting current ratio	Direct on line pull out torque ratio	Mean sound pressure level @ 1m on no load Noise LwdB (A)	Voltage V
							LRT/RLT	LRA/RLA	BDT/RLT		
1	IE3-80M1-2	0.75	2890	1.64	80.7	0.82	2.3	7	2.3	62	400
2	IE3-80M2-2	1.1	2890	2.31	82.7	0.83	2.2	7.3	2.3	62	400
3	IE3-90S-2	1.5	2890	3.06	84.2	0.84	2.2	7.6	2.3	67	400
4	IE3-90L-2	2.2	2890	4.35	85.9	0.85	2.2	7.6	2.3	67	400
5	IE3-100L-2	3	2895	5.71	87.1	0.87	2.2	7.8	2.3	74	400
6	IE3-112M-2	4	2910	7.45	88.1	0.88	2.2	8.3	2.3	77	400
7	IE3-132S1-2	5.5	2940	10.1	89.2	0.88	2	8.3	2.3	79	400
8	IE3-132S2-2	7.5	2940	13.7	90.1	0.88	2	7.9	2.3	79	400
9	IE3-160M1-2	11	2950	19.6	91.2	0.89	2	8.1	2.3	81	400
10	IE3-160M2-2	15	2950	26.5	91.9	0.89	2	8.1	2.3	81	400
11	IE3-160L-2	18.5	2950	32.5	92.4	0.89	2	8.2	2.3	81	400
12	IE3-180M-2	22	2960	38.5	92.7	0.89	2	8.2	2.3	83	400
13	IE3-200L1-2	30	2970	52.1	93.3	0.89	2	7.6	2.3	84	400
14	IE3-200L2-2	37	2970	64	93.7	0.89	2	7.6	2.3	84	400
15	IE3-225M-2	45	2970	76.8	94	0.9	2	7.7	2.3	86	400
16	IE3-250M-2	55	2980	93.5	94.3	0.9	2	7.7	2.3	89	400
17	IE3-280S-2	75	2980	127	94.7	0.9	1.8	7.1	2.3	91	400
18	IE3-280M-2	90	2980	152	95	0.9	1.8	7.1	2.3	91	400
19	IE3-315S-2	110	2980	185	95.2	0.9	1.8	7.1	2.3	92	400
20	IE3-315M-2	132	2980	224	94.5	0.9	1.8	7.1	2.3	92	400
21	IE3-315L1-2	160	2980	265	95.6	0.91	1.8	7.2	2.3	92	400
22	IE3-315L2-2	200	2980	331	95.8	0.91	1.8	7.2	2.2	92	400
23	IE3-355M-2	250	2980	414	95.8	0.91	1.6	7.2	2.2	100	400
24	IE3-355L-2	315	2980	522	95.8	0.91	1.6	7.2	2.2	100	400
25	IE3-80M-4	0.75	1430	1.75	82.5	0.75	2.3	6.6	2.3	56	400
26	IE3-90S-4	1.1	1440	2.48	84.1	0.76	2.3	6.8	2.3	59	400
27	IE3-90L-4	1.5	1440	3.3	85.3	0.77	2.3	7	2.3	59	400
28	IE3-100L1-4	2.2	1455	4.52	86.7	0.81	2.3	7.6	2.3	64	400
29	IE3-100L2-4	3	1455	6.02	87.7	0.82	2.3	7.6	2.3	64	400
30	IE3-112M-4	4	1460	7.95	88.6	0.82	2.2	7.8	2.3	65	400
31	IE3-132S-4	5.5	1470	10.7	89.6	0.83	2	7.9	2.3	71	400
32	IE3-132M-4	7.5	1470	14.3	90.4	0.84	2	7.5	2.3	71	400
33	IE3-160M-4	11	1470	20.4	91.4	0.85	2.2	7.7	2.3	73	400
34	IE3-160L-4	15	1470	27.3	92.1	0.86	2.2	7.8	2.3	73	400
35	IE3-180M-4	18.5	1475	33.5	92.6	0.86	2	7.8	2.3	76	400
36	IE3-180L-4	22	1475	39.7	93	0.86	2	7.8	2.3	76	400



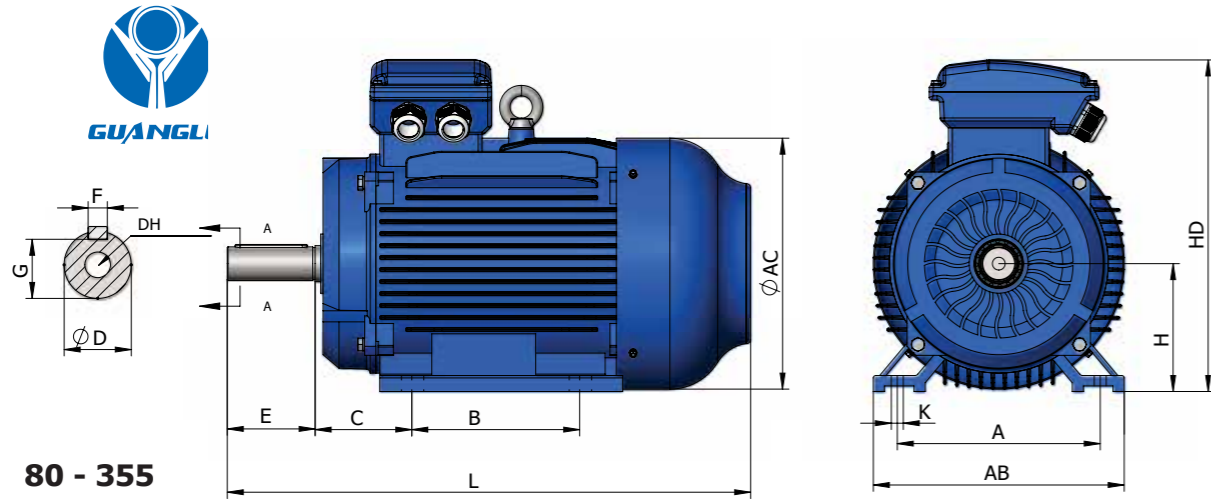
Crompton



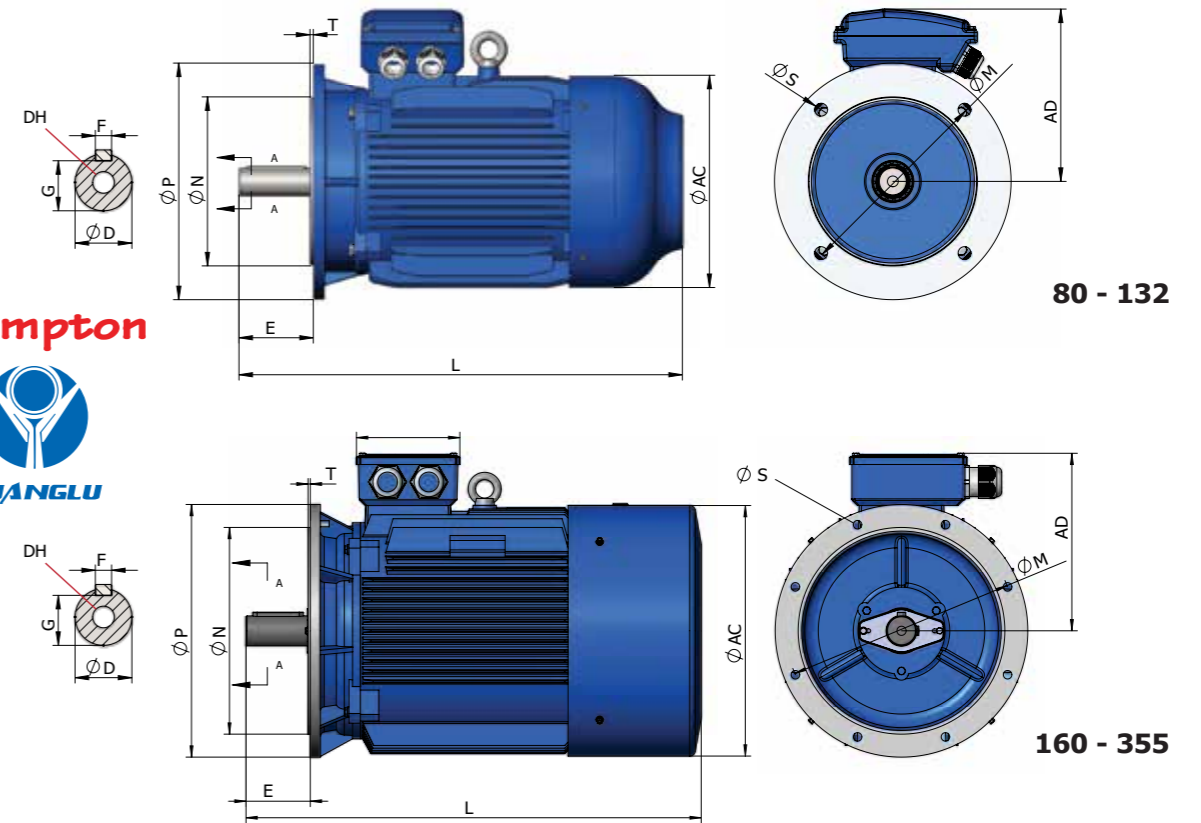
TECHNICAL DATA OF IE3 SERIES

NO.	Frame reference and size	Rated power Output kW	Full load speed in revolutions per minute Speed r/min	Full load current at rated voltage Amps A	Efficiency EFF. %	Power factor P.F. cosφ	Direct on line starting torque ratio	Direct on line starting current ratio	Direct on line pull out torque ratio	Mean sound pressure level @ 1m on no load Noise LwdB (A)	Voltage V
							LRT/RLT	LRA/RLA	BDT/RLT		
37	IE3-200L-4	30	1480	53.8	93.6	0.86	2	7.8	2.3	76	400
38	IE3-225S-4	37	1485	66.1	93.9	0.86	2	7.4	2.3	78	400
39	IE3-225M-4	45	1485	80.2	94.2	0.86	2	7.4	2.3	78	400
40	IE3-250M-4	55	1485	97.6	94.6	0.86	2	7.4	2.3	79	400
41	IE3-280S-4	75	1485	129	95	0.88	2	6.9	2.3	80	400
42	IE3-280M-4	90	1485	155	95.2	0.88	2	6.9	2.3	80	400
43	IE3-315S-4	110	1485	187	95.4	0.89	2	7	2.2	88	400
44	IE3-315M-4	132	1485	224	95.6	0.89	2	7	2.2	88	400
45	IE3-315L1-4	160	1485	271	95.8	0.89	2	7.1	2.2	88	400
46	IE3-315L2-4	200	1485	334	96	0.9	2	7.1	2.2	88	400
47	IE3-355M-4	250	1490	418	96	0.9	2	7.1	2.2	95	400
48	IE3-355L-4	315	1490	526	96	0.9	2	7.1	2.2	95	400
49	IE3-90S-6	0.75	955	1.93	78.9	0.71	2	6	2.1	57	400
50	IE3-90L-6	1.1	955	2.69	81	0.73	2	6	2.1	57	400
51	IE3-100L-6	1.5	955	3.6	82.5	0.73	2	6.5	2.1	61	400
52	IE3-112M-6	2.2	970	5.09	84.3	0.74	2	6.6	2.1	65	400
53	IE3-132S-6	3	970	6.84	85.6	0.74	2	6.8	2.1	69	400
54	IE3-132M1-6	4	970	8.99	86.8	0.74	2	6.8	2.1	69	400
55	IE3-132M2-6	5.5	970	12	88	0.75	2	7	2.1	69	400
56	IE3-160M-6	7.5	980	15.4	89.1	0.79	2	7	2.1	73	400
57	IE3-160L-6	11	980	22	90.3	0.8	2	7.2	2.1	73	400
58	IE3-180L-6	15	980	29.3	91.2	0.81	2	7.3	2.1	73	400
59	IE3-200L1-6	18.5	985	36	91.7	0.81	2	7.3	2.1	73	400
60	IE3-200L2-6	22	985	42.5	92.2	0.81	2	7.4	2.1	73	400
61	IE3-225M-6	30	985	56.2	92.9	0.83	2	6.9	2.1	74	400
62	IE3-250M-6	37	990	68.1	93.3	0.84	2	7.1	2.1	76	400
63	IE3-280S-6	45	990	81.6	93.7	0.85	2	7.3	2	78	400
64	IE3-280M-6	55	990	98.1	94.1	0.86	2	7.3	2	78	400
65	IE3-315S-6	75	990	136	94.6	0.84	2	6.6	2	83	400
66	IE3-315M-6	90	990	161	94.9	0.85	2	6.7	2	83	400
67	IE3-315L1-6	110	990	196	95.1	0.85	2	6.7	2	83	400
68	IE3-315L2-6	132	990	232	95.4	0.86	2	6.8	2	83	400
69	IE3-355M1-6	160	990	281	95.6	0.86	1.8	6.8	2	85	400
70	IE3-355M2-6	200	990	346	95.8	0.87	1.8	6.8	2	85	400
71	IE3-355L1-6	250	990	433	95.8	0.87	1.8	6.8	2	85	400
72	IE3-355L2-6	315	990	552	95.8	0.86	1.8	6.8	2	85	400

Crompton



Crompton



FRAME WITH FEET AND END-SHIELD WITHOUT FLANGE(IM B3)

FRAME SIZE	POLES	A	A/2	B	C	D	E	F	G	H	K	AB	AC	AD	HD	L	DH*
80M	2 4 6	125	62.5	100	50	19	40	6	15.5	80	10	165	158	140	220	300	M6X16
90S	2 4 6	140	70	100	56	24	50	8	20	90	10	180	177	160	255	350	M8X19
90L	2 4 6	140	70	125	56	24	50	8	20	90	10	180	177	160	255	385	M8X19
10I	2 4 6	160	80	140	63	28	60	8	24	100	12	205	198	172	270	400	M10X22
112M	2 4 6	190	95	140	70	28	60	8	24	112	12	226	235	193	300	425	M10X22
132S	2 4 6	216	108	140	89	38	80	10	33	132	12	262	293	225	349	502	M12X28
132M	2 4 6	216	108	178	89	38	80	10	33	132	12	262	293	225	349	533	M12X28
160M	2 4 6	254	127	210	108	42	110	12	37	160	15	320	315	255	420	660	M16X36
160L	2 4 6	254	127	254	108	42	110	12	37	160	15	320	315	255	420	730	M16X36
180M	2 4 6	279	139.5	241	121	48	110	14	42.5	180	15	355	355	280	455	740	M16X36
180L	2 4 6	279	139.5	279	121	48	110	14	42.5	180	15	355	355	280	455	810	M16X36
200L	2 4 6	318	159	305	133	55	110	16	49	200	19	395	397	305	505	852	M20X42
225S	4	356	178	286	149	60	140	18	53	225	19	435	445	335	560	874	M20X42
225M	2	356	178	311	149	55	110	16	49	225	19	435	445	335	560	890	M20X42
	4 6	356	178	311	149	60	140	18	53	225	19	435	445	335	560	915	M20X42
250M	2	406	203	349	168	60	140	18	53	250	24	490	485	370	615	985	M20X42
	4 6	406	203	349	168	65	140	18	58	250	24	490	485	370	615	985	M20X42
280S	2	457	228.5	368	190	65	140	18	58	280	24	550	547	410	680	1045	M20X42
	4 6	457	228.5	368	190	75	140	20	67.5	280	24	550	547	410	680	1045	M20X42
280M	2	457	228.5	419	190	65	140	18	58	280	24	550	547	410	680	1095	M20X42
	4 6	457	228.5	419	190	75	140	20	67.5	280	24	550	547	410	680	1095	M20X42
315S	2	508	254	406	216	65	140	18	58	315	28	635	620	530	845	1185	M20X42
	4 6	508	254	406	216	80	170	22	71	315	28	635	620	530	845	1220	M20X42
315M	2	508	254	457	216	65	140	18	58	315	28	635	620	530	845	1290	M20X42
	4 6	508	254	457	216	80	170	22	71	315	28	635	620	530	845	1325	M20X42
315L	2	508	254	508	216	65	140	18	58	315	28	635	620	530	845	1290	M20X42
	4 6	508	254	508	216	80	170	22	71	315	28	635	620	530	845	1325	M20X42
355M	2	610	305	560	254	75	140	20	67.5	355	28	730	698	655	1010	1500	M20X42
	4 6	610	305	560	254	95	170	25	86	355	28	730	698	655	1010	1530	M20X42
355L	2	610	305	630	254	75	140	20	67.5	355	28	730	698	655	1010	1500	M20X42
	4 6	610	305	630	254	95	170	25	86	355	28	730	698	655	1010	1530	M20X42

FRAME WITHOUT FEET AND END-SHIELD WITH FLANGE(IM B5)

FRAME SIZE	POLES	D	E	F	G	M	N	P	S	T	FLANGE HOLES	AC	AD	HD	L	DH*
80M	2 4 6	19	40	6	15.5	165	130	200	12	3.5	4	158	140	240	300	M6X16
90S	2 4 6	24	50	8	20	165	130	200	12	3.5	4	177	160	260	350	M8X19
90L	2 4 6	24	50	8	20	165	130	200	12	3.5	4	177	160	260	385	M8X19
100L	2 4 6	28	60	8	24	215	180	250	15	4	4	198	172	300	425	M10X22
112M	2 4 6	28	60	8	24	215	180	250	15	4	4	235	193	315	502	M10X22
132S	2 4 6	38	80	10	33	265	230	300	15	4	4	293	225	349	533	M12X28
132M	2 4 6	38	80	10	33	265	230	300	15	4	4	293	225	349	660	M12X28
160M	2 4 6	42	110	12	37	300	250	350	19	5	4	315	255	385	730	M16X36
160L	2 4 6	42	110	12	37	300	250	350	19	5	4	315	255	385	740	M16X36
180M	2 4 6	48	110	14	42.5	300	250	350	19	5	4	355	280	430	810	M16X36
180L	2 4 6	48	110	14	42.5	300	250	350	19	5	4	355	280	430	852	M16X36
200L	2 4 6	55	110	16	49	350	300	400	19	5	4	397	305	480	874	M20X42
225S	4	60	140	18	53	400	350	450	19	5	8	445	335	535	890	M20X42
225M	2	55	110	16	49	400	350	450	19	5	8	445	335	535	915	M20X42
	4 6	60	140	18	53	400	350	450	19	5	8	445	335	535	985	M20X42
250M	2	60	140	18	53	500	450	550	19	5	8	485	370	595	985	M20X42
	4 6	65	140	18	58	500	450	550	19	5	8	485	370	595	1045	M20X42
280S	2	65	140	18	58	500	450	550	19	5	8	547	410	650	1045	M20X42
	4 6	75	140	20	67.5	500	450	550	19	5	8	547	410	650	1095	M20X42
280M	2	65	140	18	58	500	450	550	19	5	8	547	410	650	1095	M20X42
	4 6	75	140	20	67.5	500	450	550	19	5	8	547	410	650	1100	M20X42



Certificate of Approval

Certificate No.: 10117Q16818ROM

Awarded to

GUANGLU ELECTRICAL CO., LTD.

Organization Code Certificate No. / Unified Social Credit Code: 91331081255663412C
Add.: Shanshi Ind Zone, Daxi Town, Wenling, Zhejiang, China 317525

Beijing ZhongLianTianRun Certification Center (ZLTR) certify that the Quality Management System of the above organization has been assessed and found to be in accordance with the requirements of the standard:
GB/T19001-2016 / ISO9001: 2015

SCOPE OF CERTIFICATION/REGISTRATION

grinding machine, cutting machine, single phase asynchronous motor, abnormal concrete vibrator production and after-sale service (export only) three phase asynchronous motor production and after-sale service within CCC limits

This certificate is made valid when used with certification scopes and the requirements of applicable laws and regulations. These requirements include, but are not limited to, administrative permits, scopes of qualifications, and CCC requirements.

Subject to operation conditions in requirements conformity with Quality Management System,

This Certificate is valid for a period of three years only.

Date from: Oct 18th, 2017 To: Oct 17th, 2020

The effectiveness of this Certificate shall be Validated by periodic surveillance audit of ZLTR for maintenance.

The time limit of the certificate is to Sep 28th, 2018, please conducting the surveillance or re-certification assessment before Sep 28th, 2018. If the assessment is overdue, the certificate is invalid.

Information of this certificate can be found on the official website of Beijing Zhonglian Tianrun Certification center (<http://www.zltr.com.cn>)



Beijing Zhongliantianrun Certification Center

Room 2603, 22nd Floor, 2nd Unit, Block 1, No 4 Yard, Qiyang Road, Chaoyang District, Beijing, P.R. China 100102

Information of this certificate can be found on the official website of Certification and Accreditation Administration of the People's Republic of China (<http://www.cnca.gov.cn>)

ISO 9001



Crompton

มอเตอร์ประสิทธิภาพสูง IE2 IE3 CROMPTON, GUANGLU



มีหลากหลายประสิทธิภาพสูง

- มอเตอร์ประสิทธิภาพสูง (IE2, IE3)
- โครงสร้างเหล็กหล่อ แข็งแรงทนทาน
- ได้การรับรองจากกระทรวงพลังงานทดแทน และอนุรักษ์พลังงาน (พพ) 3 ปีซ้อน
- อายุการใช้งานยาวนาน
- ขนาดที่ได้รับหลากหลายประสิทธิภาพสูงขนาด 3HP และ 5HP
- IE2 IE3 ขนาดอื่นๆ สอบถามเพิ่มเติมได้ตั้งแต่ขนาด 1 HP ถึง 340HP



รับรองโดยกระทรวงพลังงานทดแทน และอนุรักษ์พลังงาน (พพ)



รับประกัน 1 ปี