

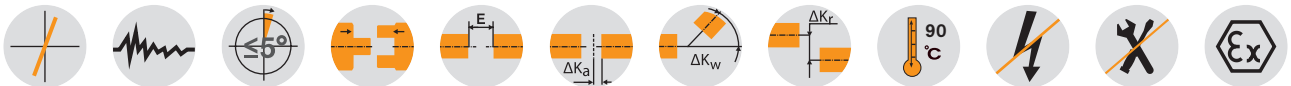
# ROTEX® GS

## Backlash-free jaw couplings

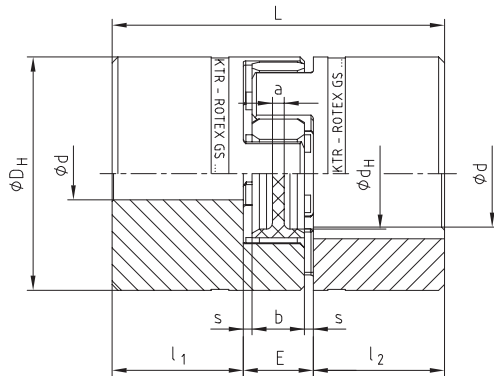
### Standard types



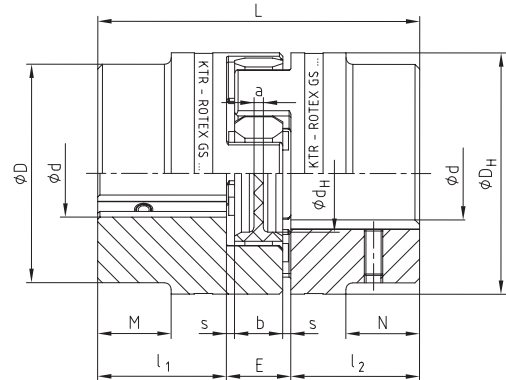
For legend of pictogram please refer to flapper on the cover



ROTEX® GS 5 - 38

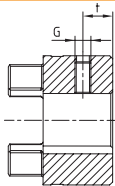


ROTEX® GS 42 - 90



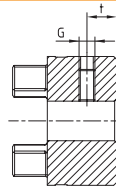
### Types of hubs:

Type 1.0



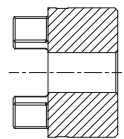
with feather keyway and setscrew

Type 1.1



without feather keyway, with setscrew

Type 1.2



without feather keyway and without setscrew

### ROTEX® GS standard types - For size 5 to 38 hub material aluminium/for size 42 to 90 hub material steel

Size	Spider GS <sup>1)</sup> torque $T_{KN}$ [Nm] for 98 ShA	$d_{max.}$ for hub type			Dimensions [mm]										Setscrew DIN EN ISO 4029		
		1.0	1.1	1.2	D	$D_H$	$d_H$	L	$l_1, l_2$	M, N	E	b	s	a	G	t	$T_A$ [Nm]
5	0.9	-	6	5	-	10	-	15	5	-	5	4	0.5	4.0	M2	2.5	0.35
7	2.0	7	7	7	-	14	-	22	7	-	8	6	1.0	6.0	M3	3.5	0.6
9	5.0	10	11	11	-	20	7.2	30	10	-	10	8	1.0	1.5	M4	5.0	1.5
12	9.0	12	12	12	-	25	8.5	34	11	-	12	10	1.0	3.5	M4	5.0	1.5
14	12.5	16	16	16	-	30	10.5	35	11	-	13	10	1.5	2.0	M4	5.0	1.5
19	21	24	-	-	-	40	18	66	25	-	16	12	2.0	3.0	M5	10	2.0
24	60	28	-	-	-	55	27	78	30	-	18	14	2.0	3.0	M5	10	2.0
28	160	38	-	-	-	65	30	90	35	-	20	15	2.5	4.0	M8	15	10
38	325	45	-	-	-	80	38	114	45	-	24	18	3.0	4.0	M8	15	10
42	450	55	-	-	85	95	46	126	50	28	26	20	3.0	4.0	M8	20	10
48	525	62	-	-	95	105	51	140	56	32	28	21	3.5	4.0	M8	20	10
55	685	74	-	-	110	120	60	160	65	37	30	22	4.0	4.5	M10	20	17
65	940	80	-	-	115	135	68	185	75	47	35	26	4.5	4.5	M10	20	17
75	1920	95	-	-	135	160	80	210	85	53	40	30	5.0	5.0	M10	25	17
90	3600	110	-	-	160	200	104	245	100	62	45	34	5.5	6.5	M12	30	40

<sup>1)</sup> For selections see page 22 et seqq/other spiders see page 123 and following

Ordering example:	ROTEX® GS 24	98 ShA-GS	d 20	2.5 - Ø24		1.0 - Ø20	
	Coupling size	Spider hardness	Optional: Bore in spider	Hub type	Finish bore	Hub type	Finish bore