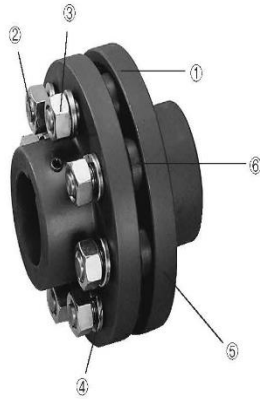
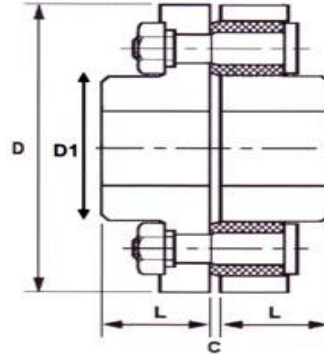




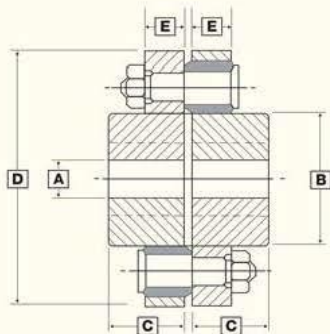
Crown Pin Couplings



- 1. Flange hub
- 2. Reamer Bolt
- 3. Nut
- 4. Spring Washer
- 5. Bush
- 6. Plain Washer



Type	Size(Inch)	Bore Diametre									
		Max Bore	D	D1	d1	L	C	Crown Pin	Torque (Nm.)	Max (rpm)	Weight
		(Dmax)mm.	mm.	mm.	mm.	mm.	mm.	pcs.			
FCL 100	4	25	100	40	22	35.5	3	4-M10x56	12	4,000	2.3
FCL 112	4.5"	28	112	45	13	40	3	4-M10x56	20	4,000	2.8
FCL 125	5"	30	125	50	13	45	3	4-M12x64	35	4,000	4
FCL140	5.5"	38	140	63	13	50	3	6-M12x64	65	4,000	5.4
FCL 160	6"	45	160	80	15	56	3	8-M12x64	130	4,000	8
FCL 180	7"	50	180	90	15	63	3	8-M12x64	170	3,500	10.5
FCL 200	8"	56	200	100	21	71	4	8-M20x85	260	3,200	16.2
FCL 224	9"	65	224	112	21	80	4	8-M20x85	400	2,850	21.3
FCL250	10"	75	250	125	25	90	4	8-M24x110	630	2,300	31.6
FCL280	11"	80	280	140	34	100	4	8-M24x116	1,050	2,050	44
FCL315	12"	90	315	160	41	112	4	10-M24x116	1,680	1,800	57.7
FCL355	14"	105	355	180	60	125	5	8-M30x150	2,570	1,600	89.5
FCL400	16"	110	400	200	60	125	5	10-M24x150	4,000	1,600	113
FCL450	18"	125	450	224	65	140	5	12-M24x150	6,300	1,400	145



Fuji

Coupling No.	Size	Bore Diametre									
		Stock Bore	Max A	B	C	D	E	Crown Pin	Torque (Nm.)	Max (rpm)	Weight
		mm.	mm.	mm.	mm.	mm.	mm.	pcs.			
7032-406	4. 1/2"	19	35	58	46	114.3	24	6P	70	3000	3.6
7032-506	5"	19	45	66	46.5	127	24	6P	160	5000	4.7
7032-608	6"	19	50	82	57	152.4	27	8P	365	4500	8.5
7032-708	7"	19	65	100	63	177.8	31	8P	625	4000	14.3
7032-810	8"	24	75	113	67	203.2	34	10P	900	3500	19
7032-1012	10"	44	95	142	77	254	34	12P	2650	2500	30.5
7032-1212	12"	50	120	175	83.5	304.8	42	12P	3500	2000	58
7032-1414	14"	62	150	220	107	355.6	47	14P	4500	1800	93
7032-1616	16"	62	200	270	110	406.4	47	16P	9000	1600	124
7032-1818	18"	62	220	300	117	457.2	47	16P	12000	1500	179