

Disc Flexible Coupling Types



KF3 Type



KF4 Type (Spacer)



KS3 Type



KS4 Type (Spacer)



KE3 Type



KE4 Type (Spacer)



KSC & KEC Type (Spacer)



KSP & KEP Type (Spacer)



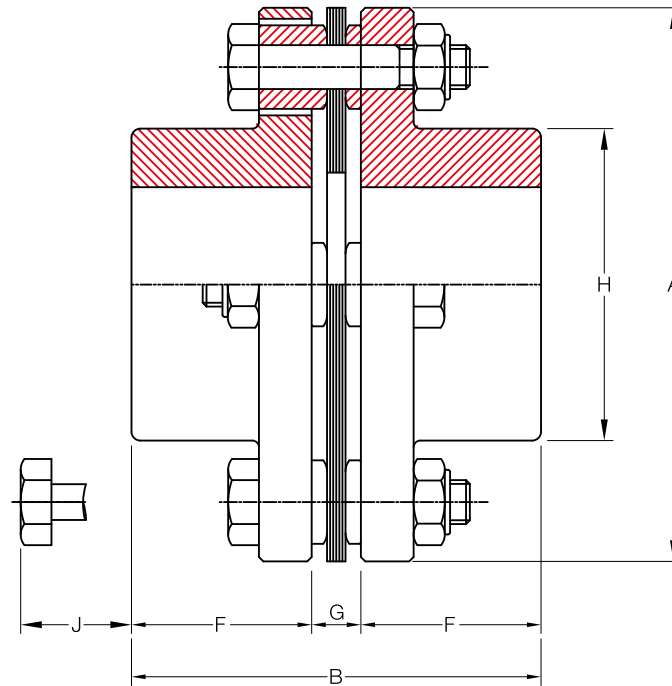
K52 Type (Spacer)



K71 Type (Spacer)

KF3 Type

Single Disc Flex with Four Bolts



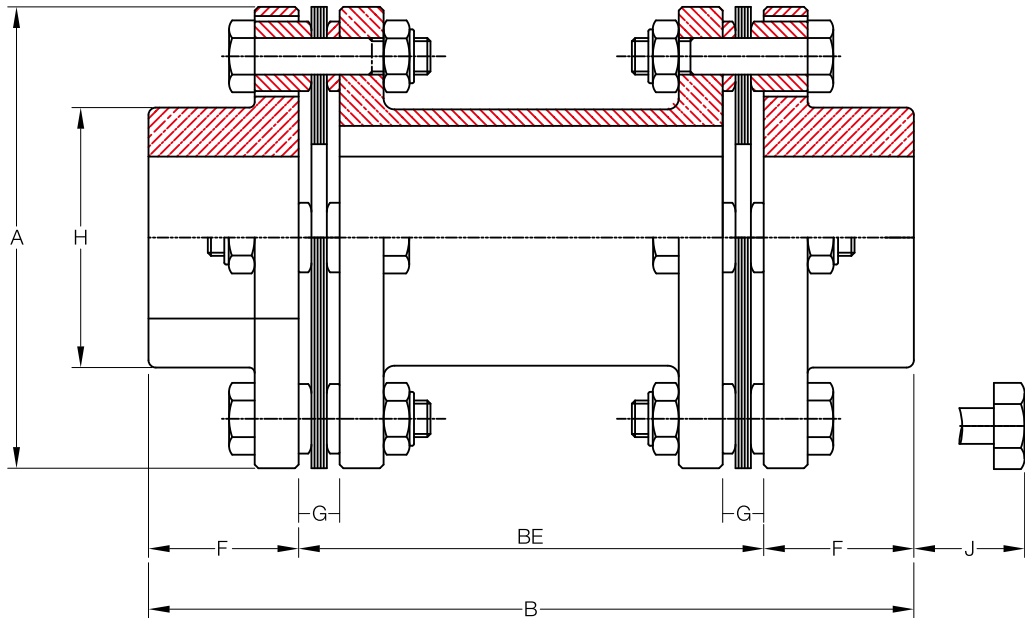
Angular Misalignment = 1.0°
4 Bolt Holes

Size	Torque Rating (Nm)	Allow Speed RPM	Max Bore (mm)	Cplg Weight (Kg)	Bolt Torque (Kg.m)	GD ² (Kg.m ²)	Dimensions (Millimeters)					
							A	B	F	G	H	J
05	33	47,000	23	0.6	0.9	0.0008	67	55.8	25	5.8	33	16
10	90	39,000	32	1.1	0.9	0.0024	81	57.1	25	7.1	46	16
15	176	34,000	35	1.7	2.2	0.0048	93	66.4	29	8.4	51	24
20	245	30,000	42	2.5	2.2	0.0080	104	79.0	34	11.0	61	30
25	421	25,000	50	4.3	4.2	0.0224	126	93.2	41	11.2	71	27
30	774	22,000	58	6.9	7.3	0.0440	143	108.5	48	12.5	84	28
35	1,274	19,000	74	11.3	7.3	0.1080	168	130.0	57	16.0	106	26
40	2,058	16,000	83	16.7	15.9	0.2080	194	145.0	64	17.0	118	30
45	3,332	15,000	95	22.7	15.9	0.3520	214	174.8	76	22.8	137	34
50	4,900	13,000	109	35.4	22.1	0.7200	246	202.0	89	24.0	157	26
55	6,370	11,000	118	52.0	55.3	1.2800	276	230.0	102	26.0	169	42

* Coupling Weight is without Bore Machining

KF4 Type

Double Disc Flex with Four Bolts Spacer Type



Angular Misalignment = 1.0°
4 Bolt Holes

Size	Torque Rating (Nm)	Allow Speed RPM	Max Bore (mm)	Cplg Weight (Kg)	Bolt Torque (Kg.m)	GD ² (Kg.m ²)	Dimensions (Millimeters)						
							A	B	F	G	H	J	BE
05	33	47,000	23	1.2	0.9	0.0018	67	138.9	25	5.8	33	16	88.9
10	90	39,000	32	1.9	0.9	0.0044	81	138.9	25	7.1	46	16	88.9
15	176	34,000	35	2.9	2.2	0.0084	93	159.6	29	8.4	51	24	101.6
20	245	30,000	42	4.1	2.2	0.0148	104	195.0	34	11.0	61	30	127.0
25	421	25,000	50	7.1	4.2	0.0396	126	209.0	41	11.2	71	27	127.0
30	774	22,000	58	10.8	7.3	0.0800	143	223.0	48	12.5	84	28	127.0
35	1,274	19,000	74	16.3	7.3	0.1680	168	241.0	57	16.0	106	26	127.0
40	2,058	16,000	83	24.7	15.9	0.3400	194	267.7	64	17.0	118	30	139.7
45	3,332	15,000	95	32.5	15.9	0.5600	214	304.4	76	22.8	137	34	152.4
50	4,900	13,000	109	50	22.1	1.1200	246	355.8	89	24.0	157	26	177.8
55	6,370	11,000	118	75	55.3	2.0400	276	381.8	102	26.0	169	42	177.8

* Coupling Weight is without Bore Machining