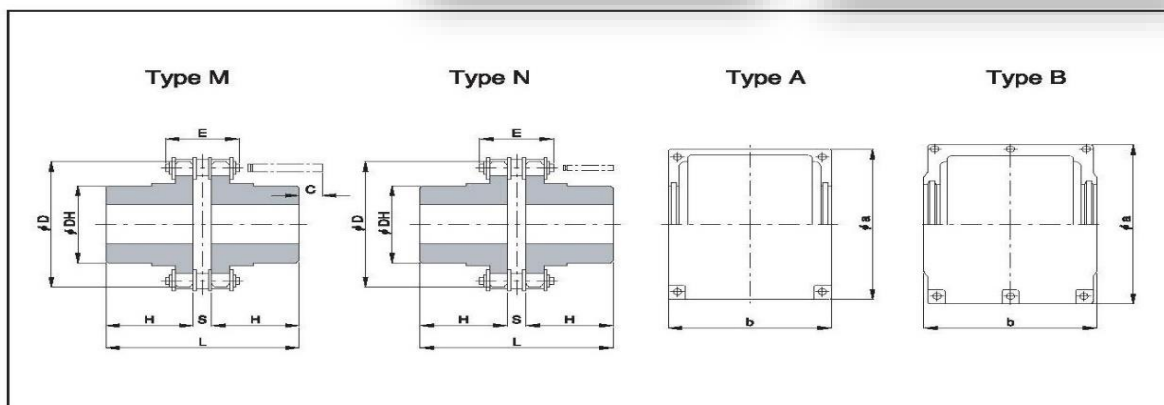




CHAIN COUPLING



SIZE	Max Speed (rpm)	Dimensions (mm)															
		Type	Bore Dia		Chain		D	DH	L	H	S	C	Coupling Weight (Kg)	Cover			
			Max	Min	Pitch	Width								Type	a	b	weight (kg)
4012	4,800	M	12	22	12.7	33.1	61	35	79.4	36	7.4	10	0.8	A	75	75	0.38
4014	4,800	M	12	28	12.7	33.1	69	43	79.4	36	7.4	10	1.1	A	84	75	0.47
4016	4,800	M	16	32	12.7	33.1	77	50	87.4	40	7.4	6	1.6	A	92	75	0.56
5014	3,600	M	16	35	15.875	41	86	53	99.7	45	9.7	12	2.2	A	101	85	0.64
5016	3,600	M	18	40	15.875	41	96	60	99.7	45	9.7	12	2.8	A	111	85	0.76
5018	3,000	M	18	45	15.875	41	106	70	99.7	45	9.7	12	3.6	A	122	85	0.92
6018	2,500	M	22	56	19.05	51.1	128	85	123.5	56	11.5	15	6.5	A	142	106	1.4
6020	2,500	M	25	60	19.05	51.1	139	110	123.5	56	11.5	15	8.38	A	158	105	1.2
6022	2,500	M	28	71	19.05	51.1	152	110	123.5	56	11.5	15	10.3	A	167	106	1.7
8018	2,000	M	32	80	25.4	65.3	170	115	141.2	63	15.2	30	13.8	A	186	130	2.3
8020	2,000	M	38	90	25.4	65.3	185	125	145	65	15.2	22	16.2	A	210	137	2.5
8022	2,000	M	40	100	25.4	65.3	203	140	157.2	71	15.2	22	21.7	A	220	130	2.7
10022	1,800	M	45	110	31.75	80.3	233	160	178.8	80	18.8	30	32.6	A	250	148	4
12018	1,500	M	50	125	38.1	101.1	256	170	202.7	90	22.7	50	43.9	B	307	181	6.8
12022	1,200	M	56	140	38.1	101.1	304	210	222.7	100	22.7	40	69	B	357	181	8.4
16018	1,000	M	63	160	50.8	129.7	341	224	254.1	112	30.1	68	96.3	B	406	250	14.7
16022	1,000	M	80	200	63.5	129.7	405	280	314.1	142	30.1	40	166.8	B	472	250	17.2