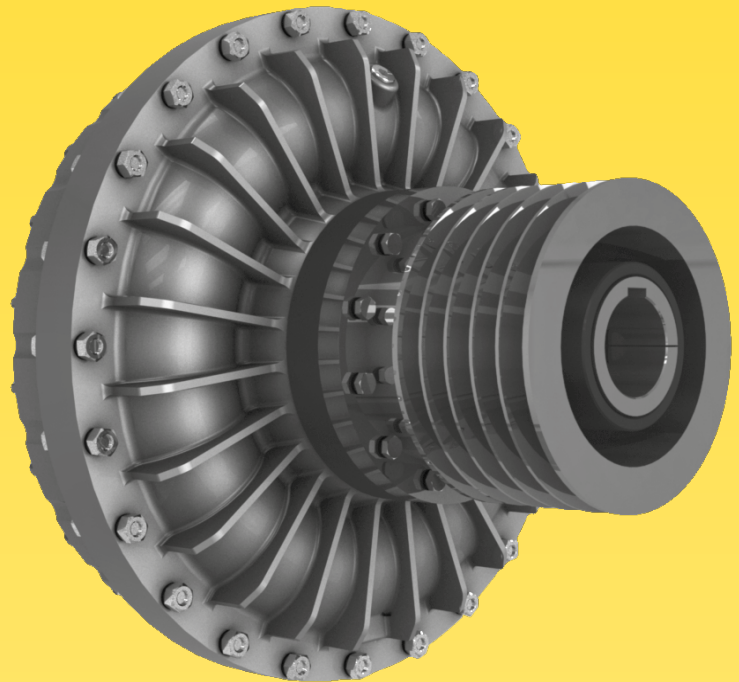


# TRANSFLUID



# TRANSFLUID

**trasmissioni industriali**



**drive with us**

**K - CK - CCK**  
FLUID COUPLINGS

DESCRIPTION	pag.	2
PERFORMANCE CURVES		3
STARTING TORQUE CHARACTERISTICS		4
ADVANTAGES		5
STANDARD OR REVERSE MOUNTING		6
PRODUCTION PROGRAM		7 ÷ 8
SPECIAL VERSION (ATEX)		8
SELECTION		9 ÷ 12
DIMENSIONS (IN LINE VERSION)		13 ÷ 23
CENTER OF GRAVITY AND MOMENT OF INERTIA		24
DIMENSIONS (PULLEY VERSIONS)		25 ÷ 26
SAFETY DEVICES		27 ÷ 29
OTHER TRANSFLUID PRODUCTS		30
SALES NETWORK		

### 1. DESCRIPTION

The TRANSFLUID coupling (K series) is a constant fill type, comprising of three main elements:

- 1 - driving impeller (pump) mounted on the input shaft.
- 2 - driven impeller (turbine) mounted on the output shaft.
- 3 - cover, flanged to the outer impeller, with an oil-tight seal.

The first two elements can work both as pump or turbine.

### 2. OPERATING CONDITIONS

The TRANSFLUID coupling is a hydrodynamic transmission. The impellers perform like a centrifugal pump and a hydraulic turbine. With an input drive to the pump (e.g. electric motor or Diesel engine) kinetic energy is transferred to the oil in the coupling. The oil is forced, by centrifugal force, across the blades of the pump towards the outside of the coupling.

The turbine absorbs kinetic energy and generates a torque always equal to input torque, thus causing rotation of the output shaft. Since there are no mechanical connections, the wear is practically zero.

The efficiency is influenced only by the speed difference (slip) between pump and turbine.

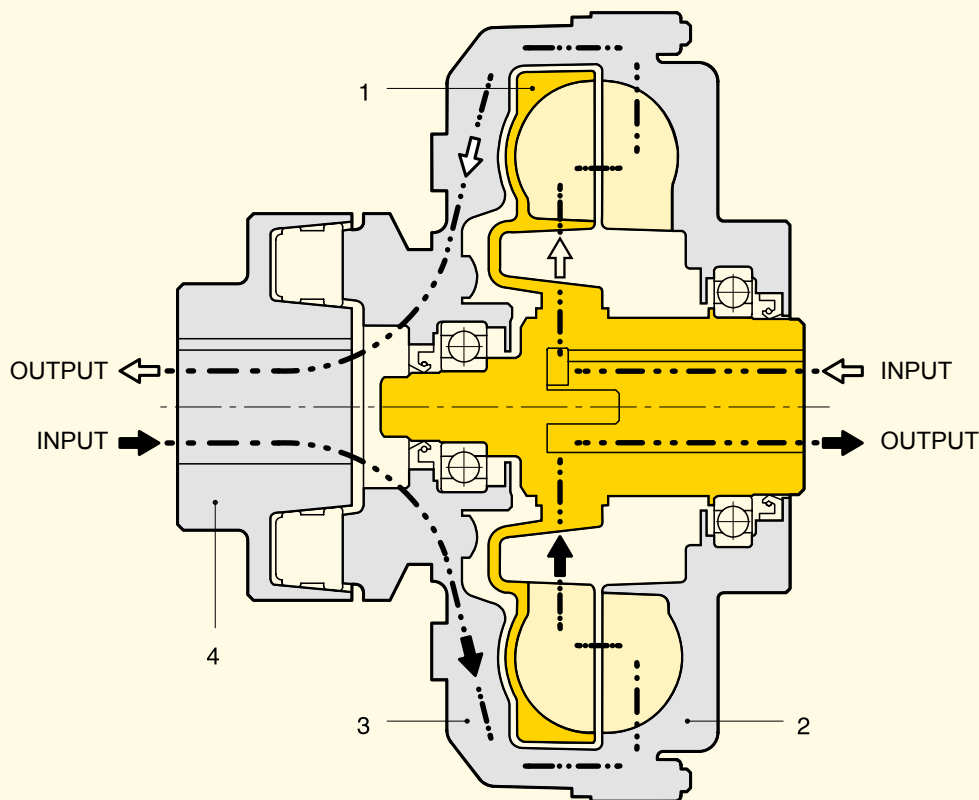
The slip is essential for the correct operation of the coupling - there could not be torque transmission without slip! The formula for slip, from which the power loss can be deduced is as follows:

$$\text{Slip \%} = \frac{\text{input speed} - \text{output speed}}{\text{input speed}} \times 100$$

In normal conditions (standard duty), slip can vary from 1,5% (large power applications) to 6% (small power applications).

TRANSFLUID couplings follow the laws of all centrifugal machines:

- 1 - transmitted torque is proportional to the square of input speed;
- 2 - transmitted power is proportional to the third power of input speed;
- 3 - transmitted power is proportional to the fifth power of circuit outside diameter.



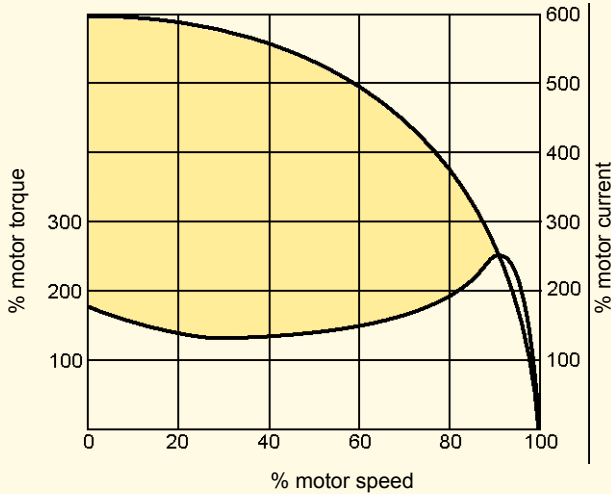
- 1 - INNER IMPELLER
- 2 - OUTER IMPELLER
- 3 - COVER
- 4 - FLEX COUPLING

# PERFORMANCE CURVES

## 2.1 Transfluid coupling fitted on electric motors

Three phase asynchronous squirrel cage motors are able to supply maximum torque only, near synchronous speed. Direct starting is the system utilized the most. Figure 1 illustrates the relationship between torque and current. It can be seen that the absorbed current is proportional to the torque only between 85% and 100% of the asynchronous speed.

Fig.1



Any drive system using a Transfluid fluid coupling has the advantage of the motor starting essentially without load. Figure 2 compares the current demands of an electric motor when the load is directly attached versus the demand when a fluid coupling is mounted between the motor and load. The coloured area shows the energy that is lost, as heat, during start-up when a fluid coupling is not used. A Transfluid fluid coupling reduces the motor's current peak during start-up and also reduces the current losses, increasing the lifetime of electric motors. Also at start-up, a fluid coupling allows more torque to pass to the load for acceleration than in drive systems without a fluid coupling.

With a motor connected directly to the load there are the following disadvantages:

- The difference between available torque and the torque required by the load is very low until the rotor has accelerated to between 80-85% of the synchronous speed.
- The absorbed current is high (up to 6 times the nominal current) throughout the starting phase causing overheating of the windings, overloads in the electrical lines and, in cases of frequent starts, major production costs.
- Over-dimensioned motors caused by the limitations indicated above.

To limit the absorbed current of the motor during the acceleration of the load, a ( $\lambda\Delta$ ) (wye - delta) starting system is frequently used which reduces the absorbed current by about 1/3 during starting. Unfortunately, during operation of the motor under the delta configuration, the available torque is also reduced by 1/3; and for machines with high inertias to accelerate, overdimensioning of the motor is still required. Finally, this system does not eliminate current peaks originating from the insertion or the commutation of the device.

Fig.2

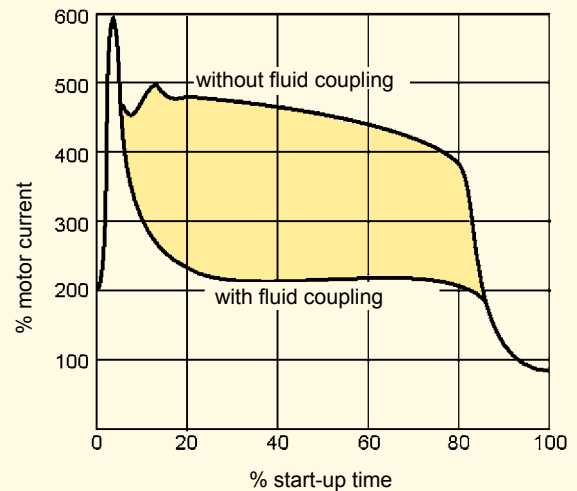


Fig.3

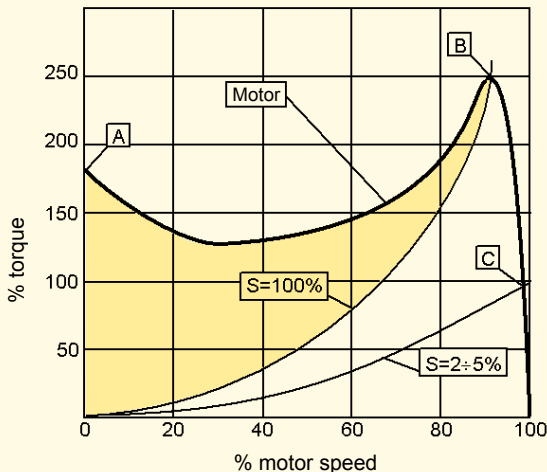
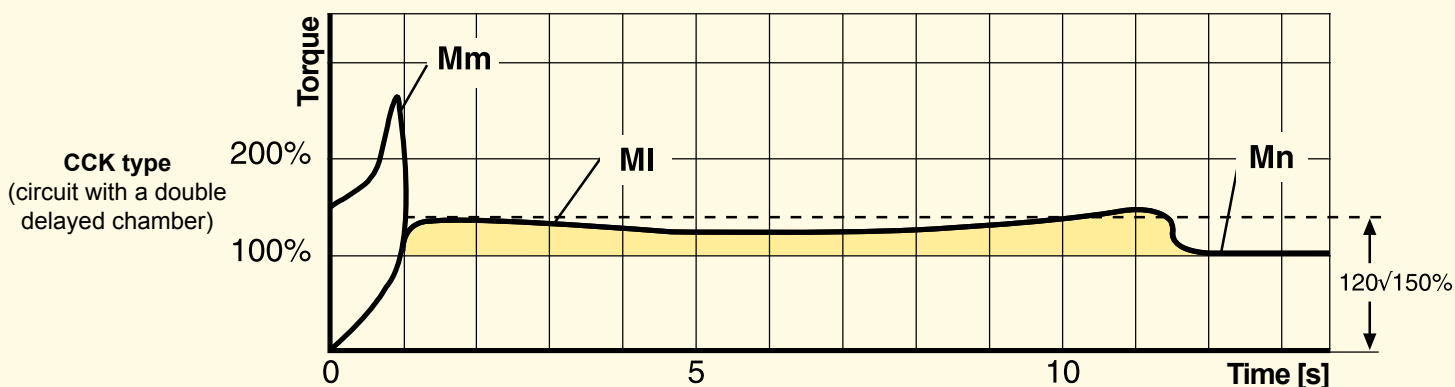
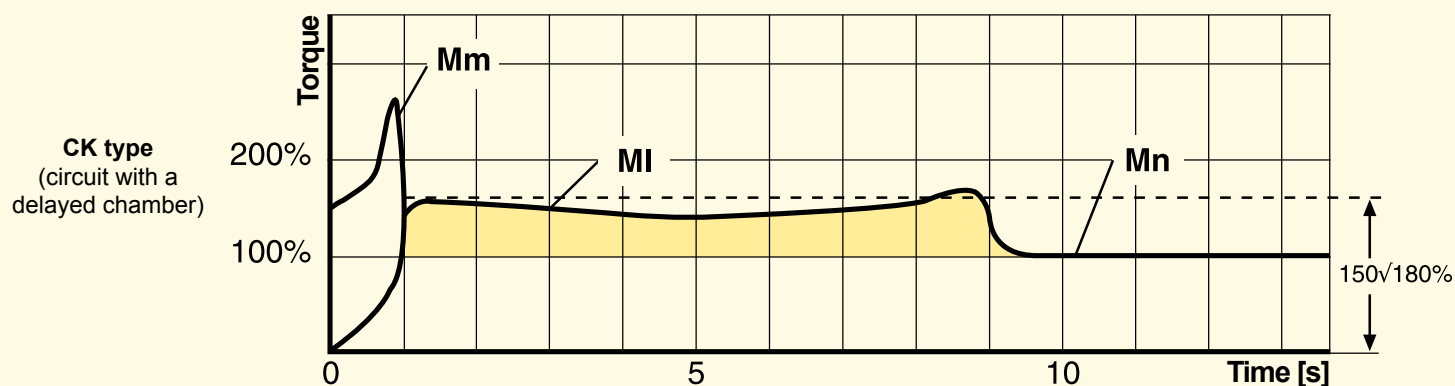
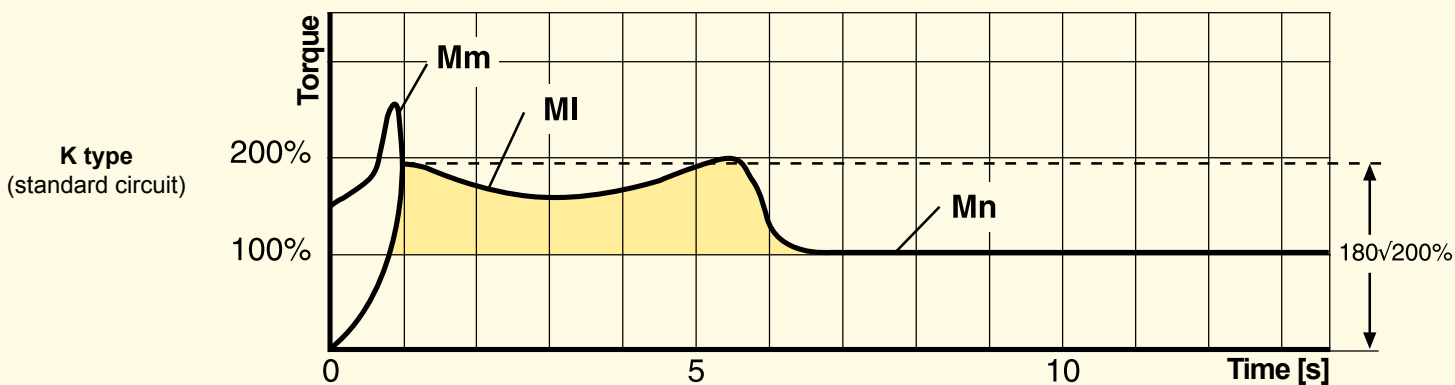


Figure 3 shows two curves for a single fluid coupling and a characteristic curve of an electric motor. It is obvious from the stall curve of the fluid coupling ( $s = 100\%$ ) and the available motor torque, how much torque is available to accelerate the rotor of the motor (colored area). In about 1 second, the rotor of the motor accelerates passing from point A to point B. The acceleration of the load, however, is made gradually by the fluid coupling, utilizing the motor in optimal conditions, along the part of the curve between point B, 100% and point C, 2-5%. Point C is the typical point of operation during normal running.

## 2.2 CHARACTERISTIC CURVES

- MI : transmitted torque from fluid coupling
- Mm : starting torque of the electric motor
- Mn : nominal torque at full load
- ..... : accelerating torque



**NOTE:** Above starting times are indicative only

# DELAYED FILL CHAMBER ADVANTAGES

## 3. TRANSFLUID FLUID COUPLINGS WITH A DELAYED FILL CHAMBER

A **low starting torque** is achieved, with the standard circuit in a maximum oil fill condition because fluid couplings limit to **less than 200%** of the nominal motor torque. It is possible to limit further the starting torque **down to 160%** of the nominal torque, by decreasing oil fill: this, contrarily creates slip and working temperature increase in the fluid coupling.

The most convenient technical solution is to use fluid couplings with a **delayed fill chamber**, connected to the main circuit by **calibrated bleed orifices**. These **externally adjustable valves**, available from size **15CK** (Fig. 4b), can be simply adjusted to vary starting time.

In a standstill position, the **delayed fill chamber** contains part of the filling oil, thus reducing the effective quantity in the working circuit (Fig. 4a) and a **torque reduction** is obtained, allowing the motor to quickly reach the steady running speed **as if started without load**.

During start-up, oil flows from the **delayed fill chamber** to the main circuit (Fig. 4b) in a quantity proportional to the rotating speed.

As soon as the fluid coupling reaches the nominal speed, all oil flows into the main circuit (Fig. 4c) and torque is transmitted with a **minimum slip**.

With a **simple delayed fill chamber**, the ratio between starting and nominal torque may reach **150 %**. This ratio may be further reduced down to **120 %** with a **double delayed fill chamber**, which contains a higher oil quantity, to be progressively transferred into the main circuit during the starting phase.

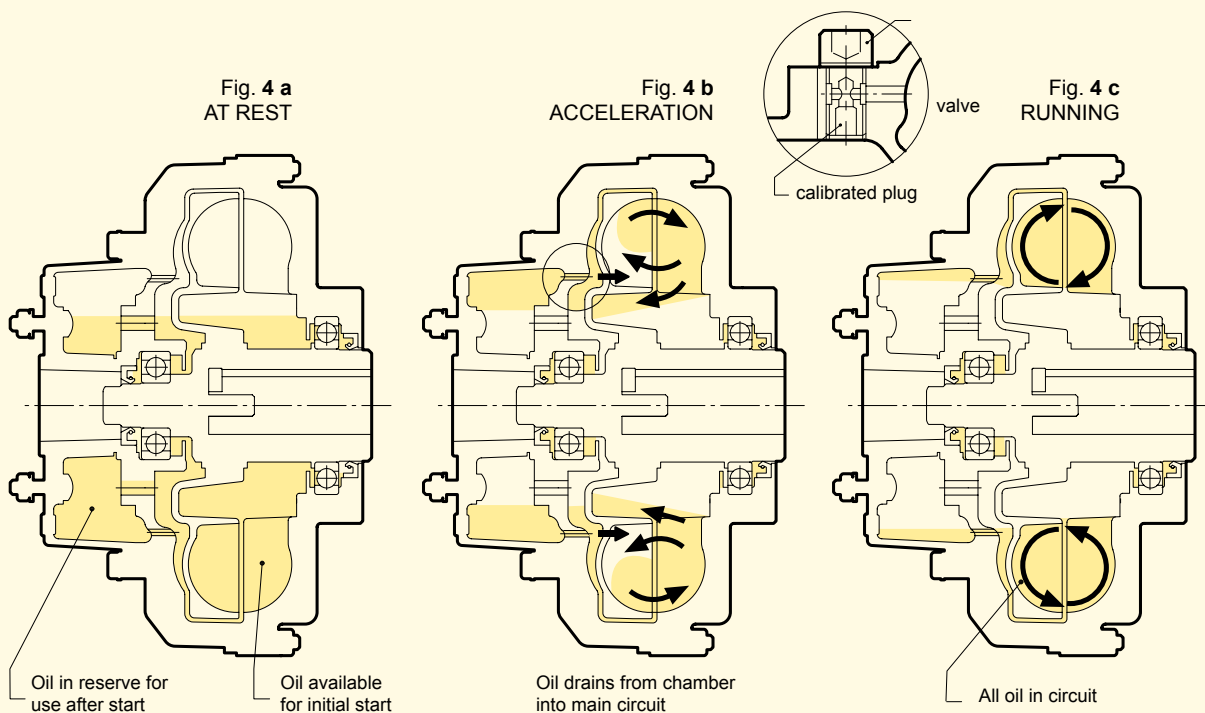
This is ideal for very smooth start-ups with low torque absorptions, as typically required for machinery with large inertia values and for belt conveyors.

The advantages of the **delayed fill chamber** become more and more evident when the power to be transmitted increases.

The **simple chamber** is available from size **11CK**, while the **double chamber** from size **15CCK**.

## 3.1 SUMMARY OF THE ADVANTAGES GIVEN BY FLUID COUPLINGS

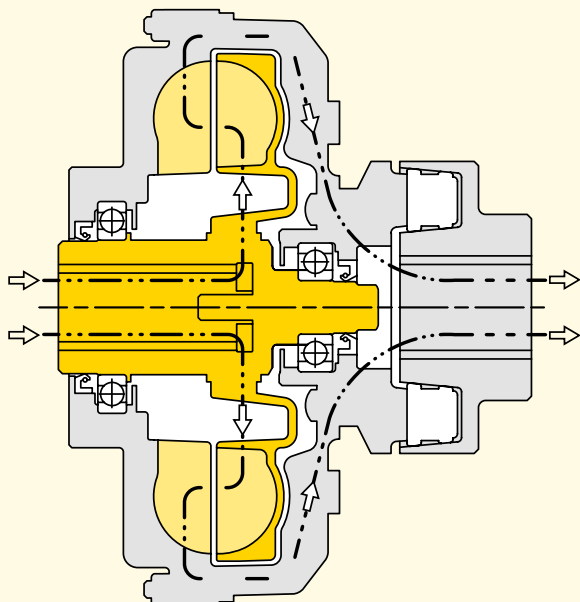
- very smooth start-ups
- reduction of current absorptions during the starting phase: the motor starts with very low load
- protection of the motor and the driven machine from jams and overloads
- utilization of asynchronous squirrel cage motors instead of special motors with soft starter devices
- higher duration and operating convenience of the whole drive train, thanks to the protection function achieved by the fluid coupling
- higher energy saving, thanks to current peak reduction
- limited starting torque down to 120% in the versions with a double delayed fill chamber
- same torque at input and output: the motor can supply the maximum torque even when load is jammed
- torsional vibration absorption for internal combustion engines, thanks to the presence of a fluid as a power transmission element
- possibility to achieve a high number of start-ups, also with an inversion of the rotation direction
- load balancing in case of a double motor drive: fluid couplings automatically adjust load speed to the motors speed
- high efficiency
- minimum maintenance
- Viton rotating seals
- cast iron and steel material with anticorrosion treatment



#### 4. INSTALLATION

##### 4.1 STANDARD MOUNTING

Driver **inner** impeller



**Minimum possible inertia** is added to the motor, and therefore free to accelerate more quickly.

During the starting phase, the outer impeller gradually reaches the steady running condition. **For very long starting times, heat dissipation capacity is lower.**

If a braking system is required, it is **convenient and easy to install a brake drum or disc** on the flex coupling.

In some cases, where the driven machine cannot be rotated by hand, **maintenance procedures of oil checking and refilling**, as well as alignment, **become more difficult.**

The delayed fill chamber, when present, is fitted on the driven side. The rotating speed of the said chamber gradually increases during start-up, thus **leading to a longer starting time**, assuming the bleed orifices diameters are not changed. **If oil quantity is excessively reduced**, the transmissible torque may be lower than the starting torque of the driven machine. In such a case, part of the oil remains inside the delayed chamber. This lack of oil in the fluid coupling may cause stalling.

The **“switching pin” device might not work correctly** on machines where, owing to irregular operating conditions, the driven side may suddenly stop or jam during the starting phase.

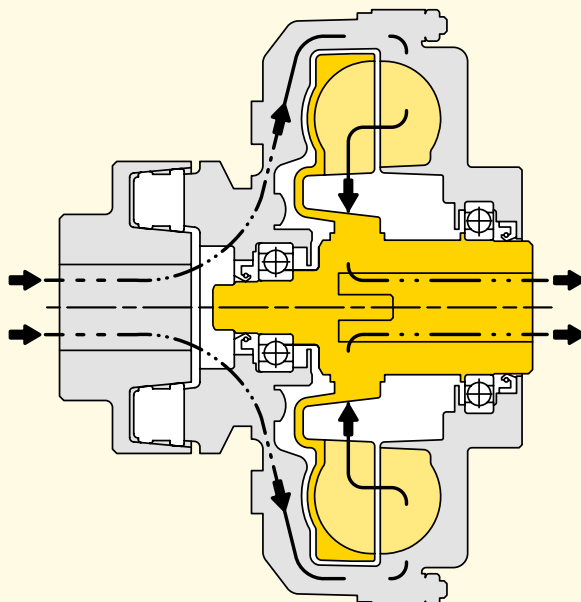
**Flex coupling is protected** by the placement of the fluid coupling before it, and therefore this **configuration is fit for** applications with **frequent start-ups or inversions** of the rotating sense.

If not expressly required by the customer or needed for the application being performed, the fluid coupling is supplied according to our **“standard”** mounting. **Do specify** in your request for quotation **whether you need a “reverse”** mounting.

**NOTE:** Starting from size **13K** and **11CK** included, a baffle ring is always fitted on the driver impeller, and therefore it is not recommended to mount a fluid coupling **“reverse”** if **“standard”** mounting, or viceversa. In these cases **contact TRANSFLUID** for more detailed information.

##### 4.2 REVERSE MOUNTING

Driver **outer** impeller



**Higher inertia** directly connected to the motor.

The outer impeller, being directly connected to the motor, reaches synchronous speed instantly. **Ventilation** is therefore **maximum** from the beginning.

The **assembly of a brake disc or drum** on KR fluid couplings is **more difficult, expensive** and leads to a longer axial length of the whole machine group.

The outer impeller and cover are connected to the motor, **it is therefore possible to manually rotate the coupling** to check alignment and oil level, and for refilling.

The delayed fill chamber is fitted on the driver side, and reaches the synchronous speed in a few seconds.

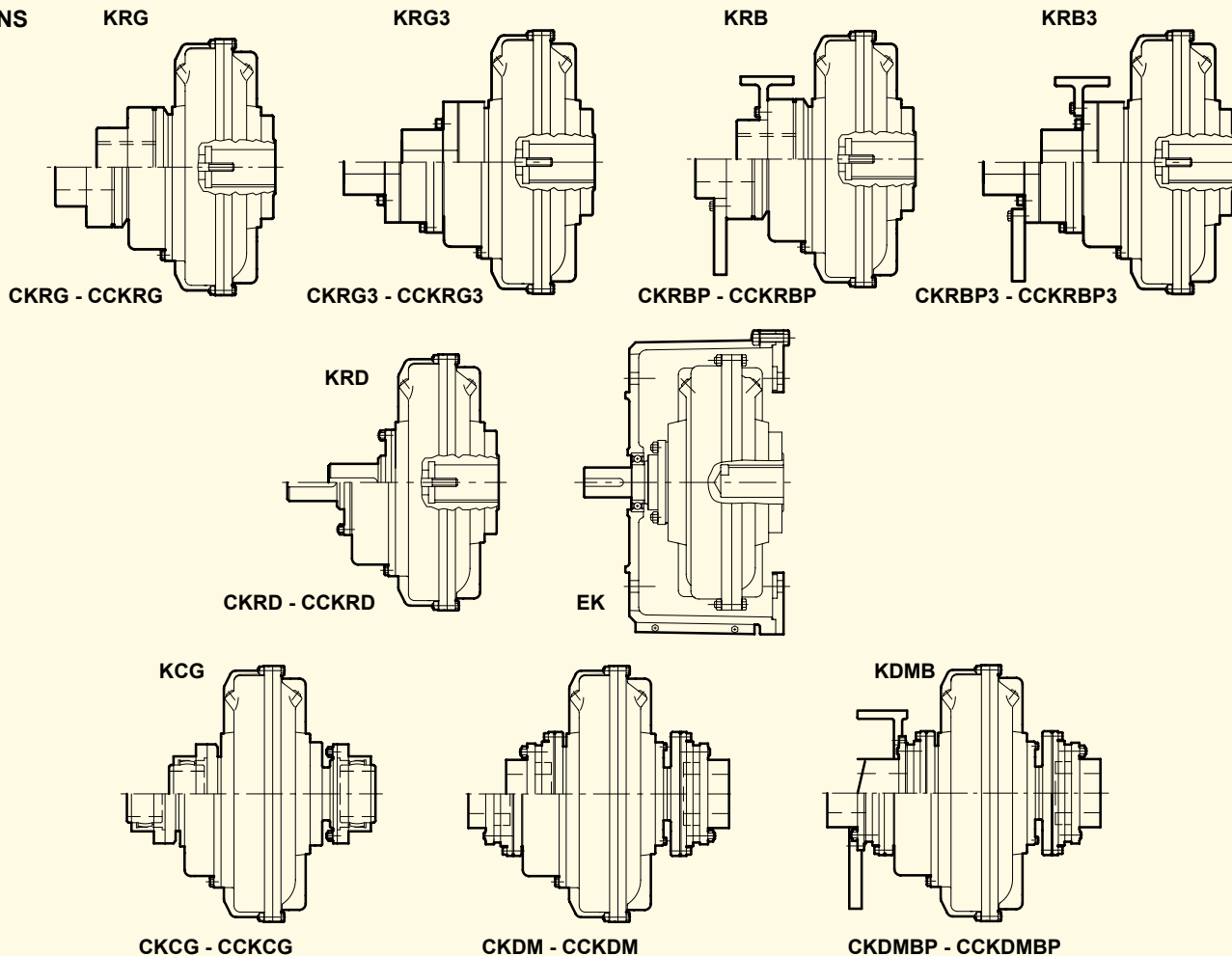
Oil is therefore centrifuged into the main circuit gradually and completely.

Starting time is adjustable by replacing the calibrated bleed orifices. **The starting phase, however is performed in a shorter time** than in the configuration with an inner driver impeller.

The **switching pin operation is always assured**, where fitted, as the outer impeller, always rotates because it is mounted on the driver shaft.

In case of frequent start-ups or inversions of the rotating direction, the **flex coupling is much more stressed.**

## 5. VERSIONS



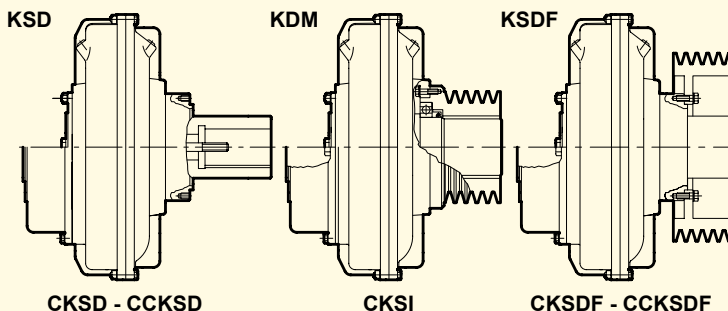
### 5.1 IN LINE

- KRG-CKRG-CCKRG** : coupling with elastic coupling.
- KRB-CKRB-CCKRB** : KRG version, with brake drum (...**KRB**) or disc (...**KRBP**).
- KRD-CKRD-CCKRD** : ..KR with output shaft. A flexible coupling has to be used; it is possible to place it (with a convenient housing) between the motor and a hollow shaft gearbox.
- KRG3-CKRG3-CCKRG3** : version with elastic coupling allowing removal of rubber elements without moving the machines.
- KRM-CKRM-CCKRM** : coupling with clamp type, super elastic coupling.
- EK** : fluid coupling fitted with a bell housing, to be placed between a flanged electric motor and a hollow shaft gearbox.
- KCG-CKCG-CCKCG** : fluid coupling with gear couplings, also available with brake drum (...**KCGB**) or disc (...**KCGBP**).
- KDM-CKDM-CCKDM** : fluid coupling with disc couplings, also available with brake drum (...**KDMB**) or disc (...**KDMBP**).

**N.B.:** The ..**KCG** - ..**KDM** versions allow a radial disassembly without moving the motor or the driven machine.

### 5.1 PULLEY

- KSD-CKSD-CCKSD** : basic coupling foreseen for a flanged pulley, with simple (CK..) or double (CCK..) delayed fill chamber.
- KSI-CKSI** : fluid coupling with an incorporated pulley, which is fitted from inside.
- KSDF-CKSDF-CCKS..** : KSD coupling with flanged pulley, externally mounted and therefore to be easily disassembled.





**6 MOUNTING**

**6.1 IN LINE VERSIONS MOUNTING EXAMPLES**

Fig. A Horizontal axis between the motor and the driven machine (KRG-CKRG-CCKRG and similar).

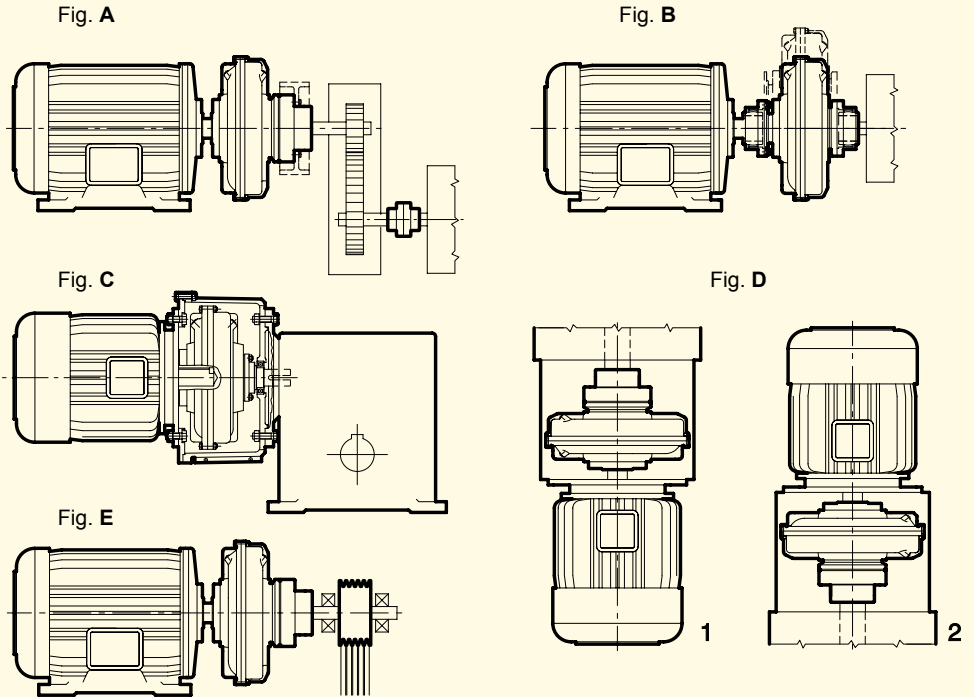
Fig. B It allows a radial disassembly without moving the motor and the driven machine (KCG-KDM and similar).

Fig. C Between a flanged electric motor and a hollow shaft gearbox by means of a bell housing (...KRD and EK).

Fig. D Vertical axis mounting between the electric motor and a gearbox or driven machine.

**In case of order, please specify mounting type 1 or 2.**

Fig. E Between the motor and a supported pulley for high powers and heavy radial loads.

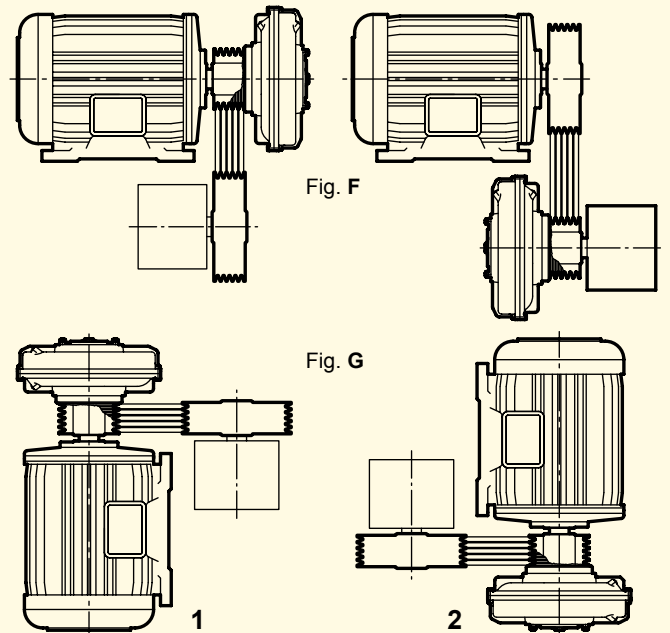


N.B. Version EK (fig. C) also for vertical mounting (fig. D 1-2)

**6.2 PULLEY VERSIONS MOUNTING EXAMPLES**

Fig. F Horizontal axis

Fig. G Vertical axis. **When ordering, please specify mounting tupe 1 or 2.**



**7 SPECIAL VERSION**

**7.1 ATEX**

It is possible to get the Transfluid fluid couplings with finished bores certified as equipment for intended use in hazardous zones according to directive 2014/34/UE (Atex).

The selection of suitable Atex fluid coupling must consider an additional safety factor of 1.2 times the absorbed power (for instance, motor 132 kW @ 1500 rpm-absorbed power 120 kW x 1.2 = 144 kW power to be considered in the selection).

According to different categories, there is the suitable selected fluid coupling as per below table.

Fluid coupling model	Category 3 Atex Zone 2 or 22 Ex II 3 D or GT4	Category 2 Atex Zone 1 or 21 Ex II 2 D or GT4	Category 1 M2 industrial Atex E x L M2
...KRG	•	•	•
...KCG	•	•	•
...KDM	•	•	•
...KXG	•	•	•
...KXD	•	•	•
...EK	•	•	•
...KBM	•	•	•
...KSD	•	• (water)	•
Fluid fill	Oil or Treated water	Fire resistant oil Treated water	Treated water only

In case of inquiry for Atex fluid coupling, you have to apply Transfluid providing the application form TF 6413 duly filled up. About KXG and KXD couplings, please refer to catalogue 160 GB.

**7.2 WATER FILL FLUID COUPLING**

Transfluid has developed a version of water fill fluid coupling in order to meet the demands of environment friendly products as well as couplings suitable for working in hazardous zone and underground mines.

The water to be used is a mixture of water and glycole. The water fill couplings are available upon request on all design from size 13 upwards; they have the same overall dimensions of standard couplings series. **A suffix "W" identifies the coupling suitable for treated water operation (e.g. 27 CKRGW)**

**7.3 LOW TEMPERATURE (below -20°C)**

- KDM - KCG - Special bearings
- Special seal fluid.

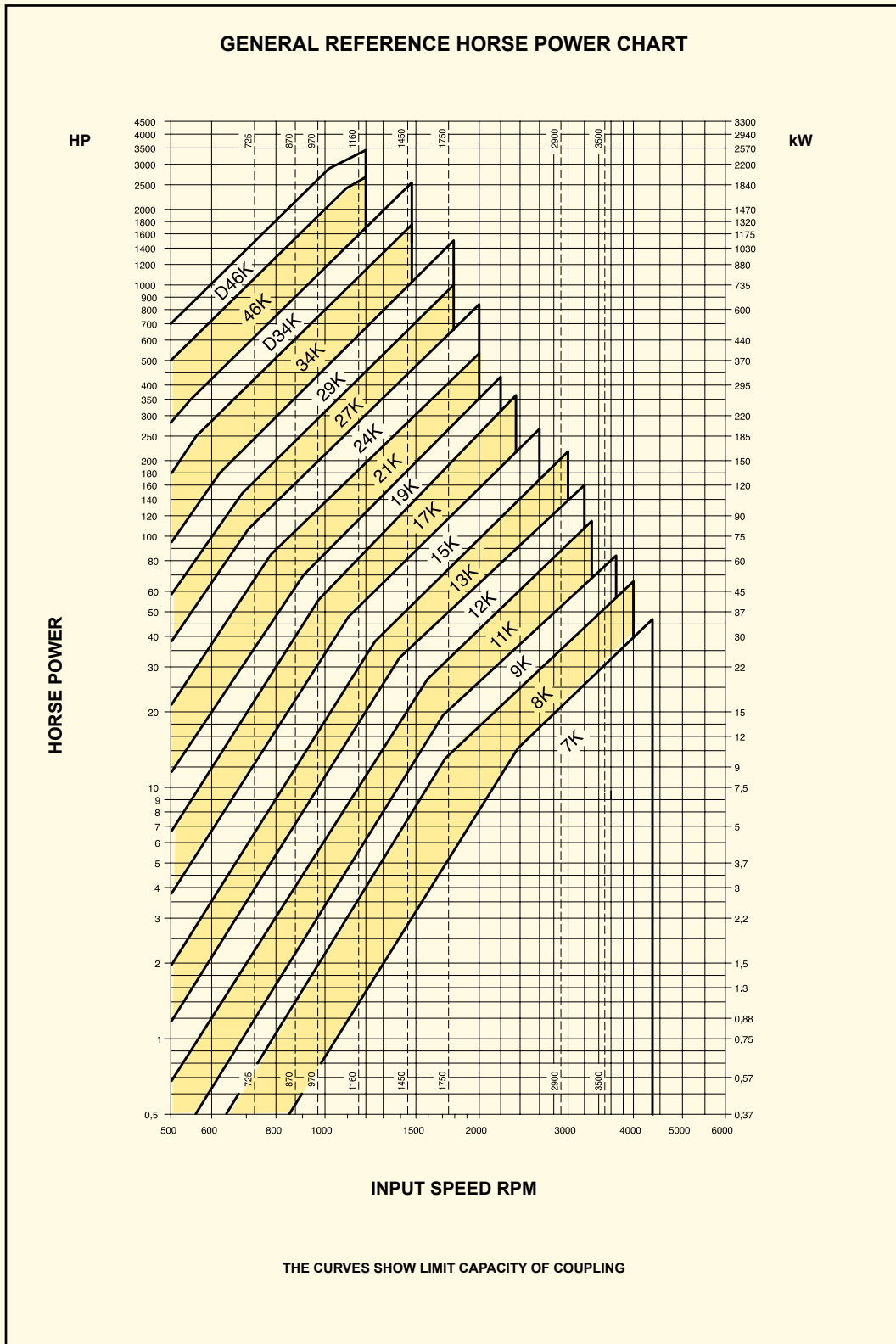
# SELECTION

## 8 SELECTION

### 8.1 SELECTION CHART

The chart below may be used to select a unit size from the horse-power and input speed. If the selection point falls on a size limit line dividing one size from the other, it is advisable to select the larger size with a proportionally reduced oil fill.

Tab. A



**8.2 SELECTION TABLE**

Fluid coupling for standard electric motors.

Tab. B

MOTOR		3000 rpm			(^) 1800 rpm			1500 rpm			(^) 1200 rpm			1000 rpm												
TYPE	SHAFT DIA.	KW	HP	COUPLING	KW	HP	COUPLING	KW	HP	COUPLING	KW	HP	COUPLING	KW	HP	COUPLING										
80	19	0.75	1	7 K (1)	0.55	0.75	7 K	0.55	0.75	7 K	0.37	0.5	7 K	0.37	0.5	7 K										
		1.1	1.5			0.75		1			0.75	1			0.55		0.75		0.55	0.75						
90S	24	1.5	2			1.1		1.5			1.1	1.5			0.75		1		0.75	1	8 K					
90L	24	2.2	3			1.5		2			1.5	2			1.1		1.5		1.1	1.5						
100L	28	3	4			2.2		3	8 K		2.2	3		8 K	1.5		2	8 K	1.5	2	9 K					
112M	28	4	5.5			3		4				3			4				2.2	3			2.2	3		
132	38	5.5	7.5		9 K (1)	4		5.5	8 K		4	5.5		9 K	2.2		3	9 K	2.2	3	11 K					
		7.5	10					5.5			7.5				5.5		7.5			3		4		3	4	
132M	38	7.5	10					7.5			10				7.5		10			4		5.5		4	5.5	12 K
160M	42	11	15					11			15				11		15			5.5		7.5		5.5	7.5	
160L	42	15	20			15	20	11 K		15	20	11 K	7.5		10	12 K	7.5		10	13 K						
180M	48	18.5	25			18.5	25				18.5		25				11		15				11	15		
180L	48	-	-	-		22	30	12 K		22	30	12 K	-		-	-	-		-	-						
200L	55	30	40	11 K (1)		30	40	13 K (12 K)		30	40	13 K	15		20	13 K	15		20	15 K						
		37	50				37			50			37		50				18.5			25		18.5	25	
225S	60	-	-	-		37	50	13 K		37	50	13 K	22		30	15 K	22		30	-						
225M	55(300) 60	45	60	11 K (1)	45	60			45	60			-	-			-	-								
250M	60 (3000) 65	55	75	13 K (1)	55	75	15 K	55	75	15 K	30	40	17 K	30	40	17 K										
280S	65 (3000) 75	75	100	13 K (1)	75	100	17 K (15 K)	75	100	17 K	37	50		17 K	37		50	19 K								
280M	65 (3000) 75	90	125			90		125			90	125			45	60			45	60						
315S	65 (3000) 80	110	150			110	150	17 K	110	150	19 K	55	75	19 K	55	75	21 K									
315M	65 (3000) 80	132	180			132	180			132		180			75	100		21 K	75	100	24 K					
		160	220		-	160	220	21 K	160	220	21 K	90	125	21 K	90	125	24 K									
		200	270			200	270			200		270			110	150			110	150						
355S	80 (3000) 100	200	270		-	260	340	21 K	250	340	24 K	132	180	24 K	160	220	27 K									
355M	80 (3000) 100	250	340		-	315	430	24 K	315	430			160		220			200	270							
												200	270	27 K	200	270	29 K									
												250	340			250		340								

NO - STANDARD MOTORS	max.			max.			max.					
	700	952	27 K	510	700	27 K	440	598	29 K	370	500	29 K
	1000	1360	29 K	810	1100	29 K	800	1088	34 K	600	800	34 K
				1300	1740	34 K	1250	1700	D 34 K	880	1200	D 34 K
				1840	2500	D 34 K	2000	2700	46 K	1470	2000	46 K
							2500	3400	D 46 K	2000	2700	D 46 K

(^) POWERS REFER TO MOTORS CONNECTED AT 440 V. 60 HZ

(1) SPECIAL VERSION, 24 HOURS SERVICE

(2) ONLY FOR KRM

**NB:** THE FLUID COUPLING SIZE IS TIED TO THE MOTOR SHAFT DIMENSIONS

## 8.3 PERFORMANCE CALCULATIONS

For frequent starts or high inertia acceleration, it is necessary to first carry out the following calculations. For this purpose it is necessary to know:

$P_m$ - input power	kW
$n_m$ - input speed	rpm
$P_L$ - power absorbed by the load at rated speed	kW
$n_L$ - speed of driven machine	rpm
$J$ - inertia of driven machine	kgm <sup>2</sup>
$T$ - ambient temperature	°C

The preliminary selection will be made from the selection graph Tab. **A** depending upon input power and speed. Then check:

- A) acceleration time
- B) max allowable temperature
- C) max working cycles per hour

### A) Acceleration time $t_a$ :

$$t_a = \frac{n_u \cdot J_r}{9.55 \cdot M_a} \quad (\text{sec}) \quad \text{where:}$$

$n_u$  = coupling output speed (rpm)  
 $J_r$  = inertia of driven machine feddered to coupling shaft (kgm<sup>2</sup>)  
 $M_a$  = acceleration torque (Nm)

$$n_u = n_m \cdot \left( \frac{100 - S}{100} \right)$$

where S is the percent slip derived from the characteristic curves of the coupling with respect to the absorbed torque  $M_L$ .

If S is not known accurately, the following assumptions may be made for initial calculations:

- 4 up to size 13"
- 3 from size 15" up to size 19"
- 2 for all larger sizes.

$$J_r = J \cdot \left( \frac{n_L}{n_u} \right)^2$$

Note:  $J = \frac{PD^2}{4}$  or  $\frac{GD^2}{4}$

$$M_a = 1.65 M_m - M_L$$

where:  $M_m = \frac{9550 \cdot P_m}{N_m}$  (Nominal Torque)

$$M_L = \frac{9550 \cdot P_L}{N_u}$$
 (Absorbed Torque)

### B) Max allowable temperature.

For simplicity of calculation, ignore the heat dissipated during acceleration.

Coupling temperature rise during start-up is given by:

$$T_a = \frac{Q}{C} \quad (^\circ\text{C})$$

where:  $Q$  = heat generated during acceleration (kcal)  
 $C$  = total thermal capacity (metal and oil) of coupling selected from Tab. **C** (kcal/°C).

$$Q = \frac{n_u}{10^4} \cdot \left( \frac{J_r \cdot n_u}{76.5} + \frac{M_L \cdot t_a}{8} \right) \quad (\text{kcal})$$

The final coupling temperature reached at the end of the acceleration cycle will be:

$$T_f = T + T_a + T_L \quad (^\circ\text{C})$$

where:  $T_f$  = final temperature (°C)  
 $T$  = ambient temperature (°C)  
 $T_a$  = temperature rise during acceleration (°C)  
 $T_L$  = temperature during steady running (°C)

$$T_L = 2.4 \cdot \frac{P_L \cdot S}{K} \quad (^\circ\text{C})$$

where:  $K$  = factor from Tab. **D**  
 $T_f$  = must not exceed 150°C

### C) Max working cycles per hour H

In addition to the heat generated in the coupling by slip during steady running, heat is also generated (as calculated above) during the acceleration period. To allow time for this heat to be dissipated, one must not exceed the max allowable number of acceleration cycles per hour.

$$H \text{ max} = \frac{3600}{t_a + t_L}$$

where  $t_L$  = minimum working time

$$t_L = 10^3 \cdot \frac{Q}{\left( \frac{t_a}{2} + T_L \right) \cdot K} \quad (\text{sec})$$

**8.4 CALCULATION EXAMPLE**

Assuming: P<sub>m</sub> = 20 kW      nm = 1450 giri/min  
 PL = 12 kW                n<sub>L</sub> = 700 giri/min  
 J = 350 kgm<sup>2</sup>  
 T = 25 °C

Trasmission via belts.  
 From selection graph. on Tab. A, selected size is 12K.

**A) Acceleration time**

From curve Tf 5078-X (supplied on request) slip S = 4%

$$n_u = 1450 \cdot \left( \frac{100 - 4}{100} \right) = 1392 \text{ rpm}$$

$$J_r = 350 \cdot \left( \frac{700}{1392} \right)^2 = 88.5 \text{ kgm}^2$$

$$M_m = \frac{9550 \cdot 20}{1450} = 131 \text{ Nm}$$

$$M_L = \frac{9550 \cdot 12}{1392} = 82 \text{ Nm}$$

$$M_L = 1,65 \cdot 131 - 82 = 134 \text{ Nm}$$

$$t_a = \frac{1392 \cdot 88.5}{9.55 \cdot 134} = 96 \text{ sec}$$

**B) Max allowable temperature**

$$Q = \frac{1392}{10^4} \cdot \left( \frac{88.5 \cdot 1392}{76.5} + \frac{82 \cdot 96}{8} \right) = 361 \text{ kcal}$$

$$C = 4.2 \text{ kcal/}^\circ\text{C (Tab.C)}$$

$$T_a = \frac{361}{4.2} = 86 \text{ }^\circ\text{C}$$

$$K = 8.9 \text{ (Tab. D)}$$

$$T_L = 2.4 \cdot \frac{12 \cdot 4}{8.9} = 13 \text{ }^\circ\text{C}$$

$$T_f = 25 + 86 + 13 = 124 \text{ }^\circ\text{C}$$

**C) Max working cycles per hour**

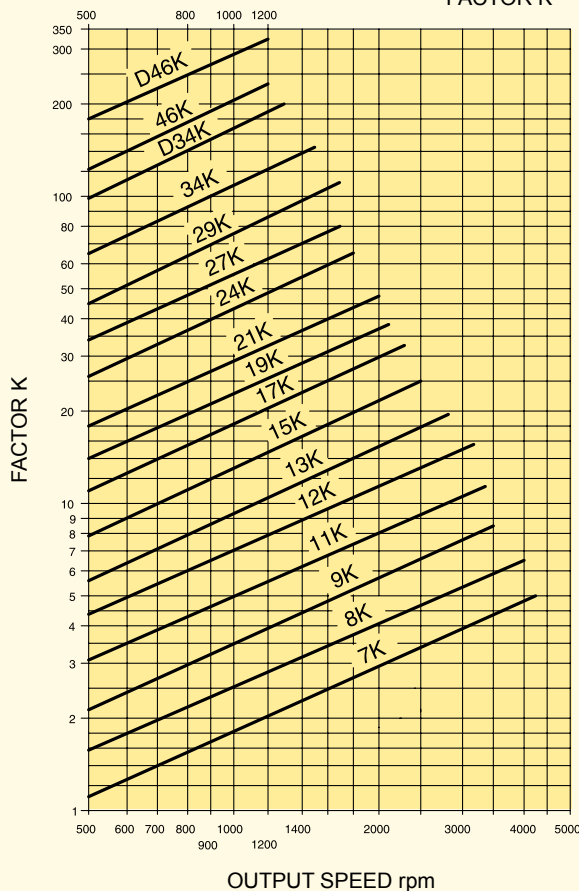
$$t_L = 10^3 \cdot \frac{361}{\left( \frac{86}{2} + 13 \right) \cdot 8.9} = 724 \text{ sec}$$

$$H = \frac{3600}{96 + 724} = 4 \text{ starts per hour}$$

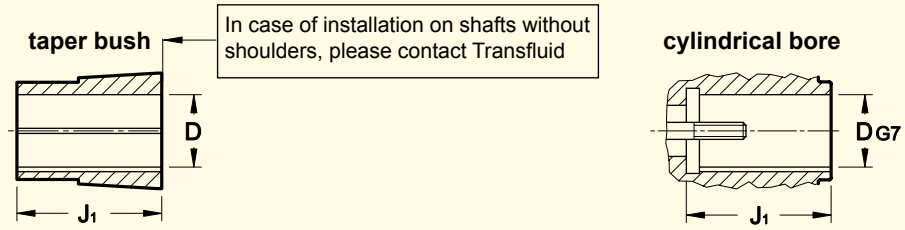
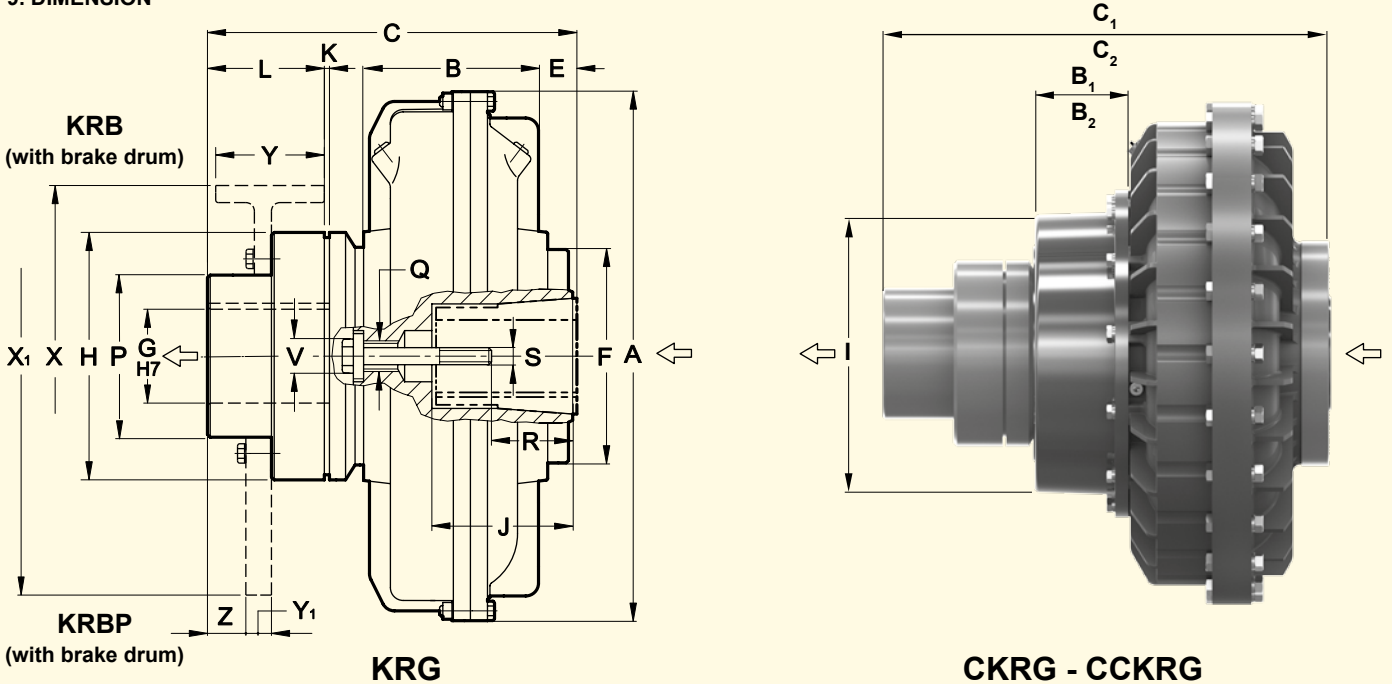
Tab. C  
THERMAL CAPACITY

size	K kcal/°C	CK kcal/°C	CCK kcal/°C
7	1.2		
8	1.5	-	
9	2.5		
11	3.2	3.7	
12	4.2	5	
13	6	6.8	
15	9	10	10.3
17	12.8	14.6	15.8
19	15.4	17.3	19.4
21	21.8	25.4	27.5
24	29	32	33.8
27	43	50	53.9
29	56	63	66.6
34	92	99	101
D34	138	-	-
46	-	-	175
D46	332	-	-

Tab. D  
FACTOR K



9. DIMENSION

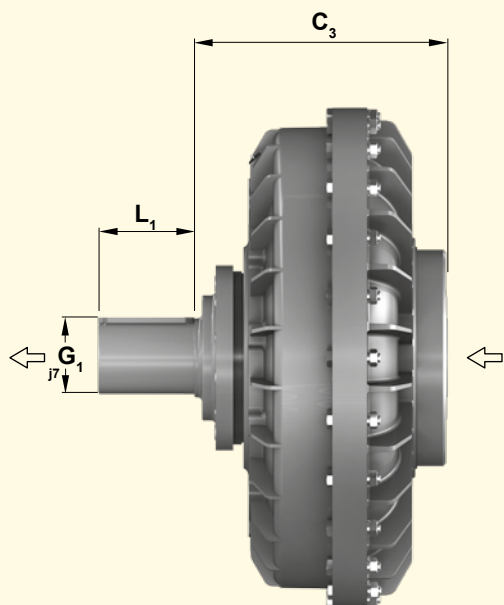


DIMENSIONS ARE SUBJECT TO ALTERNATION WITHOUT NOTICE

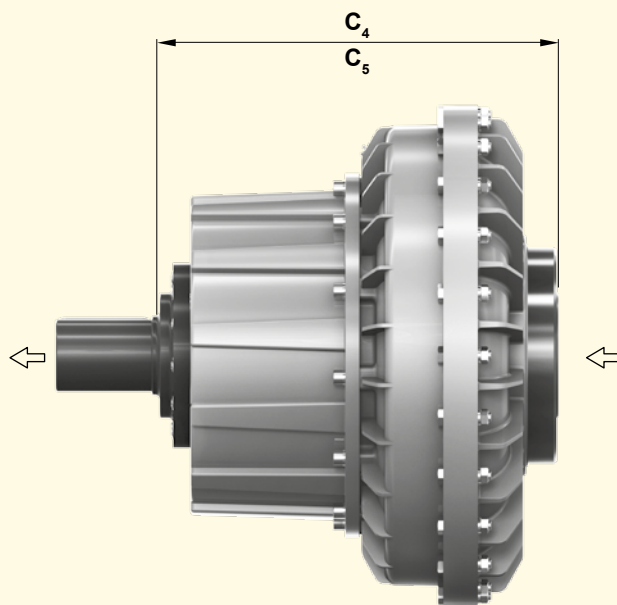
⇒ Dimensions

	D		J	J <sub>1</sub>		A	B	B <sub>1</sub>	B <sub>2</sub>	C	C <sub>1</sub>	C <sub>2</sub>	E	F	G	H	I	K	L	P	Q	R	S	V	Z	Flex coupling	brake drum X-Y	brake drum X <sub>1</sub> -Y <sub>1</sub>	Weight kg (without oil)		Oil max (l)								
	19	24		40	50	KR...	CKR...	CCKR...	KRG	CKRG	CCKRG				max							M6	M8					KRG	CKRG	CCKRG	KRG	CKRG	CCKRG						
7	19	24	69	40	50	228	77			189			22									M6	M8	21					8.3			0.92							
	28			60		256	91			194			18	114	42	110			60	70		M12								8.7			1.5						
8	24		60	50		256	91															M8																	
	28			60		295	96			246			31										M10	M12															
9	28	38	111	60	80	295	96															M10	M12																
	42...	48...		80	110	325	107	68.5		255	301		27	128	55	132	195						M16																
11	28	38	111	60	80	325	107	68.5		255	301		27	55	132	195						M10	M12	27															
	42...	48...		80	110	372	122		75	322			24	145									M16																
12	28	38	143	60	80	372	122			322			24	145								M10	M12																
	42...	48...		80	110	398	137			285	345		28	179	70								M16																
13	42	48	143	110		398	137			285	345		28	179	70	170						M16																	
	55...	60...		110	58.5	460	151	87	137	343	411	461	35	206	80		259						M20																
15	48	55	145	110		460	151	87	137	343	411	461	35	206	80		259					M16	M20																
	60	65...		140		520	170							37									M20																
17	48	55	145	110		520	170						37									M16	M20																
	60	65...		140		565	190			96	176	362	442	522	225	90	250	337					M20																
19	48	55	145	110		565	190						17									M16	M20																
	60	65...		140		565	190																M20																
	75	80		140	170																	M20																	
	75	80		140	170																	M20																	

- D BORES RELATIVE TO TAPER BUSHES WITH A KEYWAY ACCORDING TO ISO 773 - DIN 6885/1
- PARTICULAR CASES:
  - CYLINDRICAL BORE WITHOUT TAPER BUSH WITH A KEYWAY ISO 773 - DIN 6885/1
  - CYLINDRICAL BORE WITHOUT TAPER BUSH, WITH A REDUCED KEYWAY (DIN 6885/2)
  - TAPER BUSH WITHOUT KEYWAY
- FOR ...KRB - KRBP SERIES SPECIFY X AND Y OR X1 AND Y1 DIAMETER
- EXAMPLE: 9KRB - D38 - BRAKE DRUM = 160x60



**KRD**



**CKRD - CCKRD**

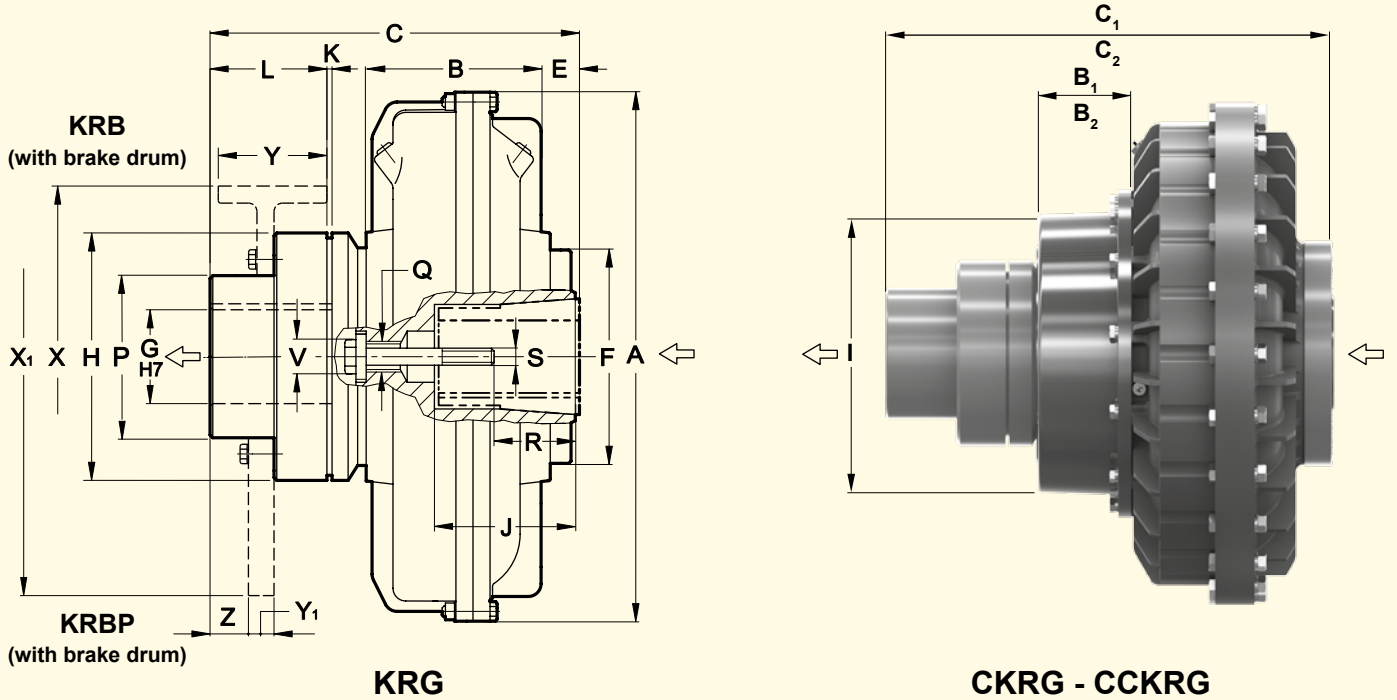
**NB:** The arrows  $\leftarrow$  indicate input and output in the standard versions.

↔ Dimensions

Size	C <sub>3</sub>	C <sub>4</sub>	C <sub>5</sub>	G <sub>1</sub>	L <sub>1</sub>	Weight kg (without oil)		
	KRD	CKRD	CCKRD			KRD	CKRD	CCKRD
7	138			28	40	5.7		
8	138	-				6.1	-	
9	176					38	11.6	
11		231		42	50	13	15.5	
	185					16.7	19.7	
12		252						
13	212	272		48	60	26.3	29.3	
15	230	298	348	60	80	40.4	44.4	52.1
17				75	10	58.1	64.1	73.1
	236	343	423			65.1	71.1	80.1
19								

- WHEN ORDERING, SPECIFY: SIZE - MODEL - D DIAMETER
- UPON REQUEST: BORE G MACHINED; G1 SPECIAL SHAFT
- G1 SHAFT WITH A KEYWAY ACCORDING TO ISO 773 - DIN 6885/1

DIMENSIONS ARE SUBJECT TO ALTERATION WITHOUT NOTICE



NB: The arrows ← indicate input and output in the standard versions.

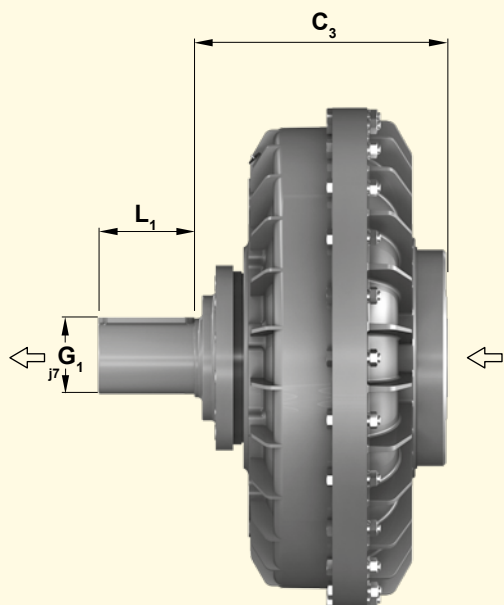
Size ⇄ Dimensions

Size	D		J	A	B	B <sub>1</sub>	B <sub>2</sub>	C	C <sub>1</sub>	C <sub>2</sub>	E	F	G	H	I	K	L	P	Q	R	S	V	Z	Flex coupling	Brake drum X - Y	Brake disc X <sub>1</sub> - Y <sub>1</sub>	Weight kg (without oil)			Oil max l			
	•	••			KR...	CKR...	CKCR...	KR...	CKR...	CKCR...															KRG	CKRG	CCKRG	KRG	CKRG	CCKRG			
21	•80	90	170	620	205			433	533	623	45									130	M20	M24			400 - 150	560 - 30	129	139	147	19	23	31	
	••100		210			110	200	468	568	658	80	250	110	290	400	3	140	170	M36	165	M24		40	45	BT60	500 - 190	630 - 30						
24	•80	90	170	714	229			433	533	623	21									130	M20	M24				710 - 30	710 - 30	147	157	165	28.4	23	39
	••100		210					468	568	658	56									165	M24					795 - 30							
27	120 max	210 max	780	278				484	602	702	6	315								167	M24		-	20	BT80	500 - 190	710 - 30	228	246	265	42	31.2	61
29	135 max	240 max	860	295	131	231		513	631	731	18	350		130	354					167	M24		-			795 - 30		281	299	309	55	50	73
34	150 max	265 max	1000	368				638	749	849	19	400	140	395		5	170	220		200	M36		-	18	BT90	630 - 236	1000 - 30	472	482	496	82.5	92.5	101

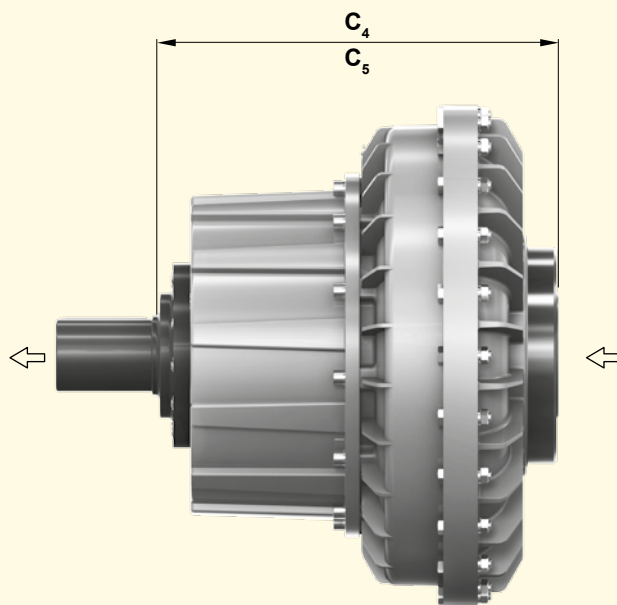
- D BORES WITH A KEYWAY ACCORDING TO ISO 773 - DIN 6885/1
  - STANDARD DIMENSIONS WITH A KEYWAY ISO 773 - DIN 6885/1
  - STANDARD DIMENSIONS WITH REDUCED KEYWAY (DIN 6885/2)
  - WHEN ORDERING, SPECIFY: SIZE - MODEL - D DIAMETER FOR ...KRB OR ...KRBP, SPECIFY X AND Y OR X1 AND Y1 DIMENSIONS BRAKE DRUM OR DISC
  - UPON REQUEST, G FINISHED BORE
- EXAMPLE: 19KRBP - D80 - BRAKE DISC 450 x 30

DIMENSIONS ARE SUBJECT TO ALTERATION WITHOUT NOTICE





**KRD**



**CKRD - CCKRD**

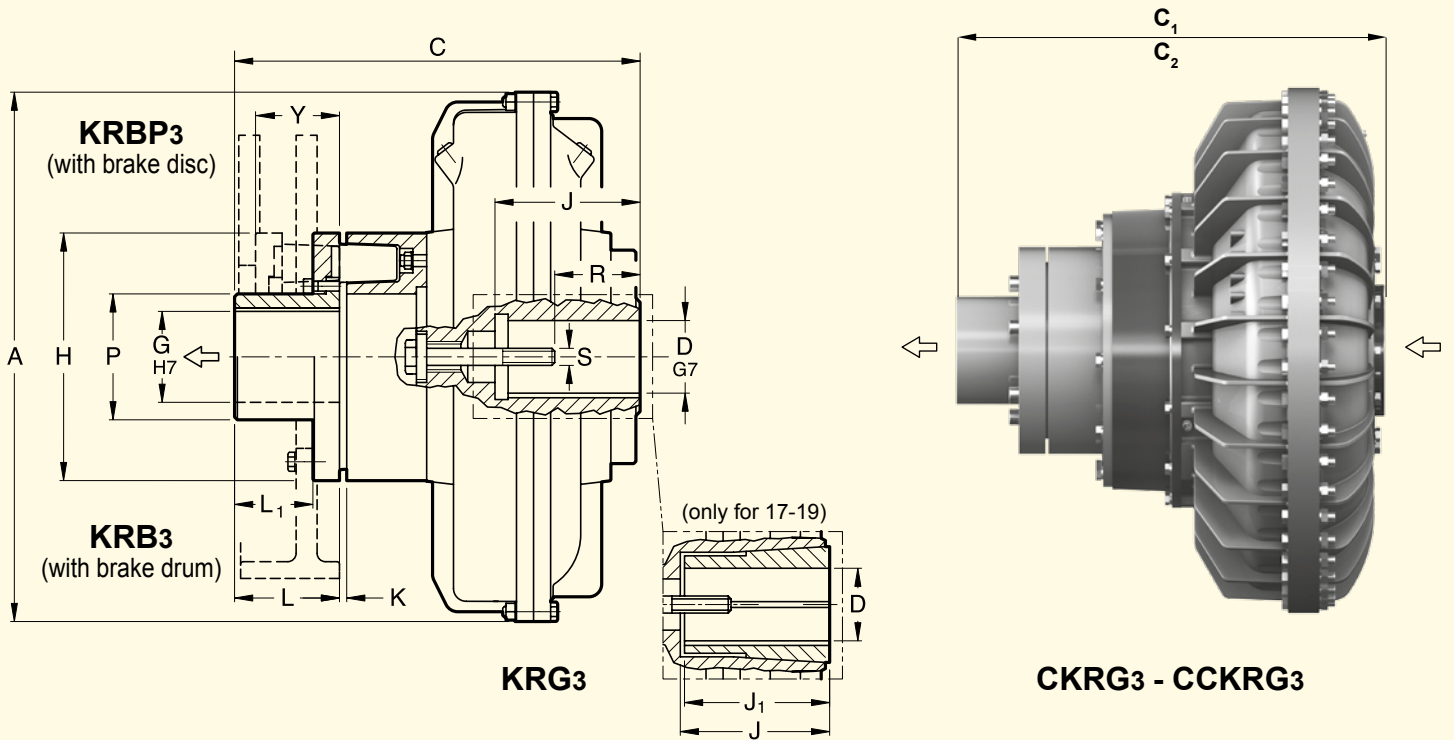
**NB:** The arrows indicate input and output in the standard versions.

Dimensions

Size	Dimensions			G <sub>1</sub>	L <sub>1</sub>	Weight kg (without oil)		
	C <sub>3</sub>	C <sub>4</sub>	C <sub>5</sub>			KRD	CKRD	CCKRD
	KRD	CKRD	CCKRD			KRD	CKRD	CCKRD
21	292	392	482	90	120	99.5	109.5	117.5
	327*	427*	517*					
24	292	392	482	100	140	117.5	127.5	135.5
	327*	427*	517*					
27	333	451	551	100	140	178	186	215
29	362	480	580					
34	437	568	668	140	150	358	373	383

\* Total length with D100  
 - UPON REQUEST G<sub>1</sub> SPECIAL SHAFT DIAMETER

DIMENSIONS ARE SUBJECT TO ALTERATION WITHOUT NOTICE



The three pieces flexible coupling **B3T**, allows the removal of the elastic elements (rubber blocks), without removal of the electric motor; only with the **KRB3** (with brake drum) coupling the electric motor must be removed by the value of 'Y'.  
 'Y' = axial displacement male part of the coupling **B3T** necessary for the removal of the elastic elements.

↔ Dimensions

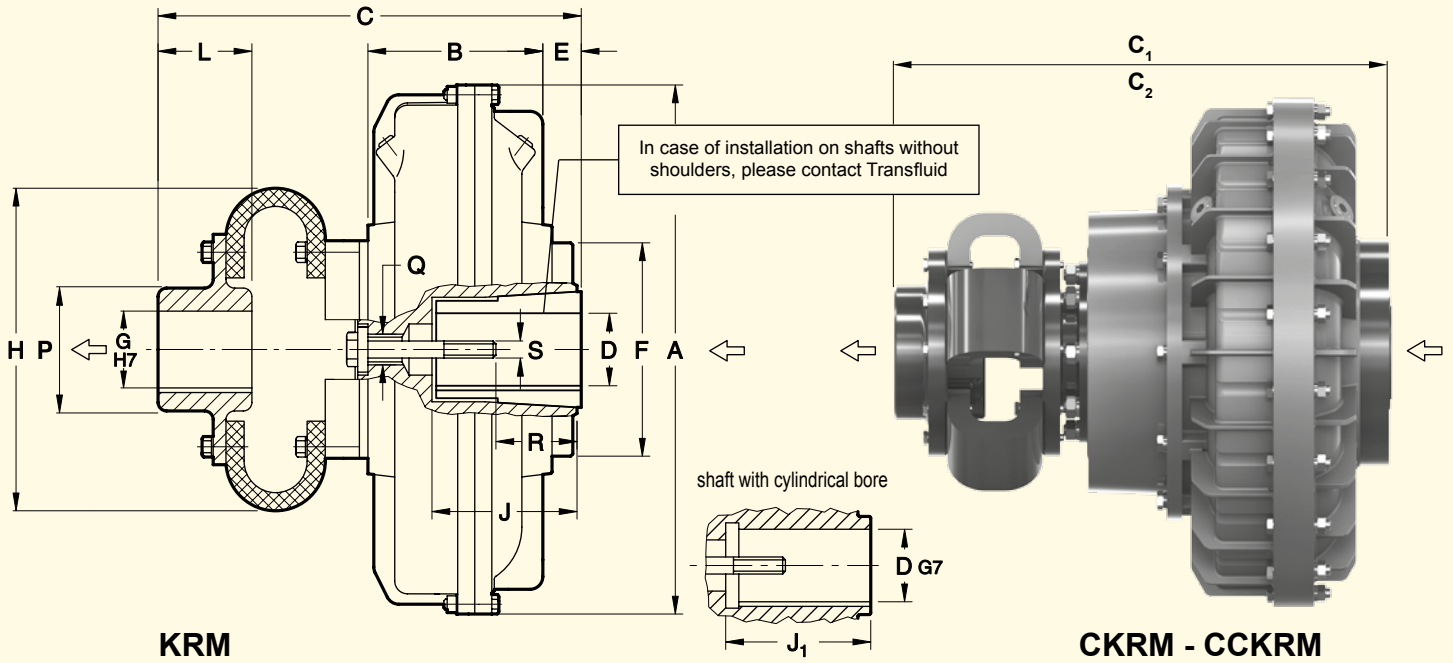
Size	D		J	J <sub>1</sub>	A	C	C <sub>1</sub>	C <sub>2</sub>	G	H	K	L	L <sub>1</sub>	P	R	S		Y	Elastic coupling	Weight kg (without oil)		
	•	••														M16	M20			KRG <sub>3</sub>	CKRG <sub>3</sub>	CCKRG <sub>3</sub>
17	48	55	145	110	520	418	498	578	90	240	3	110	82	130	80	M16	M20	82	B3T-50	84	90	99
	60	65•••		140											103	M20						
	75•	80•	140 - 170	103											132							
19	48	55	145	110	565	418	498	578	90	240	3	110	82	130	80	M16	M20	82	B3T-50	91	97	106
	60	65•••		140											103	M20						
	75•	80•	140 - 170	103											132							

- D BORES RELEVANT TO TAPER BUSH WITH KEYWAY ACCORDING TO ISO773 - DIN6885/1
- STANDARD CYLINDRICAL BORES WITHOUT TAPER BUSH WITH KEYWAY ACCORDING TO ISO773 - DIN6885/1
- TAPER BUSH WITHOUT KEYWAY

21	80•	90	170	620	457	557	647	110	290	3	140	78	150	130	M20	M24	82	B3T-60	134	144	152	
	100••	210	492		592	682	165							M24								
24	80•	90	170	714	457	557	647	110	290	3	140	78	150	130	M20	M24	82	B3T-60	152	162	170	
	100••	210	492		592	682	165							M24								
27	120 max		210	-	780	566	684	784	130	354	4	150	112	180	167	M24		120	B3T-80	247	265	284
29	135 max		240	-	860	595	713	813	130	354	4	150	112	180	for max hole			120	B3T-80	300	318	328
34	150 max		265	-	1000	704	815	915	150	395	5	170	119	205	200	M36		151	B3T-90	505	481	491
46	180 max		320	-	1330	-	-	1092	180	490	7	195	138	270	190	M36		122	B3T-100	-	-	1102

- D CYLINDRICAL BORES WITHOUT TAPER BUSH WITH KEYWAY ACCORDING TO ISO773 - DIN6885/1
- STANDARD DIMENSIONS
- STANDARD DIMENSION WITH REDUCED HIGH KEYWAY (DIN 6885/2)
- ON ORDER FORM PLEASE SPECIFY: DIMENSION, MODEL, DIAMETER D - EXAMPLE: 21CCKRG3 - D80

DIMENSIONS ARE SUBJECT TO ALTERATION WITHOUT NOTICE



**KRM**

**CKRM - CCKRM**

**NB: The arrows ⇐ indicate input and output in the standard versions.**

COUPLING ALLOWING HIGHER MISALIGNMENTS AND THE REPLACEMENT OF THE ELASTIC ELEMENTS WITHOUT MOVING THE MACHINES

⇨ Dimensions

**TAPER BUSH VERSION**

Size	D		J	J <sub>1</sub>		A	B	C	C <sub>1</sub>	C <sub>2</sub>	E	F	G	H	L	P	Q	R	S	Elastic coupling	Weight kg (without oil)				
	KRM	CKRM	KRM	CKRM	CCKRM	KRM	CKRM	CCKRM	KRM	CKRM	CCKRM	KRM	CKRM	CCKRM	KRM	CKRM	CCKRM	KRM	CKRM		CCKRM	KRM	CKRM	CCKRM	
9	28	38	111	60	80	295	96	276	-	31	128	50	185	50	80	M20	M20	43	54	M10	M12	53 F	14.5	-	-
	42...	-		80	-													79	M16						
11	28	38	111	60	80	325	107	285	331	27	50	185	50	80	M20	M20	M20	42	56	M10	M12	53 F	16.5	19	-
	42...	48...		80	110													83	M16						
12	38		111	80		372	122	352	-	24	145	-	-	-	-	-	-	42	56	M12		55 F	20	23	-
	42...	48...		80	110													83	M16						
13	42	48	143	110		398	137	332	392	28	177	65	228	72	105	M27	M27	84		M16		55 F	33	36	-
	55...	60...		110	58.5													74	104	M20					
15	48	55	145	110		460	151	367	435	485	35	206	70	235	80	112	M27	80	70	M16	M20	56 F	48	52	59.7
	60	65...		140														100		M20					
17	48	55	145	110		520	170	380	460	540	37	225	75	288	90	120	M27	80		M16	M20	58 F	67	73	82
	60	65...		140														103		M20					
19	48	55	145	110		565	190	380	460	540	17	225	75	288	90	120	M27	105	135	M20		58 F	74	80	89
	60	65...		140														105	135	M20					

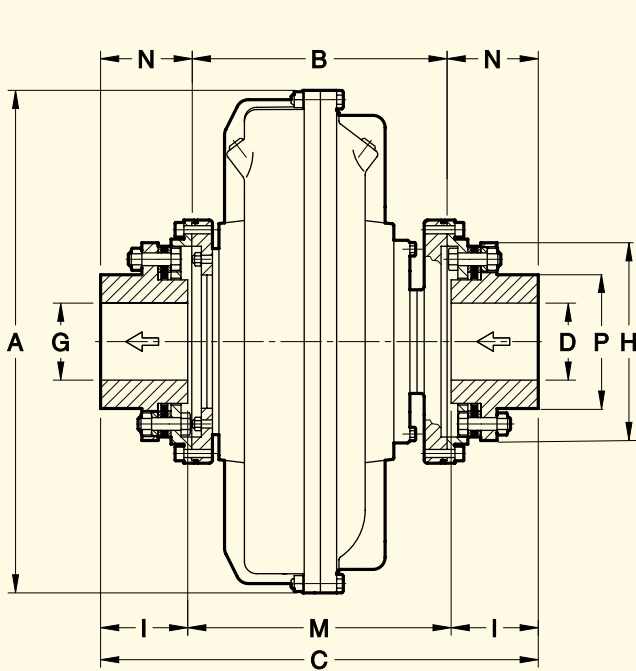
- D BORES RELEVANT TO TAPER BUSH WITH KEYWAY ACCORDING TO ISO773 - DIN6885/1
- CYLINDRICAL BORES WITHOUT TAPER BUSH WITH KEYWAY ACCORDING TO ISO773 - DIN6885/1
- ... CYLINDRICAL BORES WITHOUT TAPER BUSH WITH A REDUCED KEYWAY (DIN 6885/2)
- ... TAPER BUSH WITHOUT KEYWAY

**CYLINDRICAL BORE VERSION**

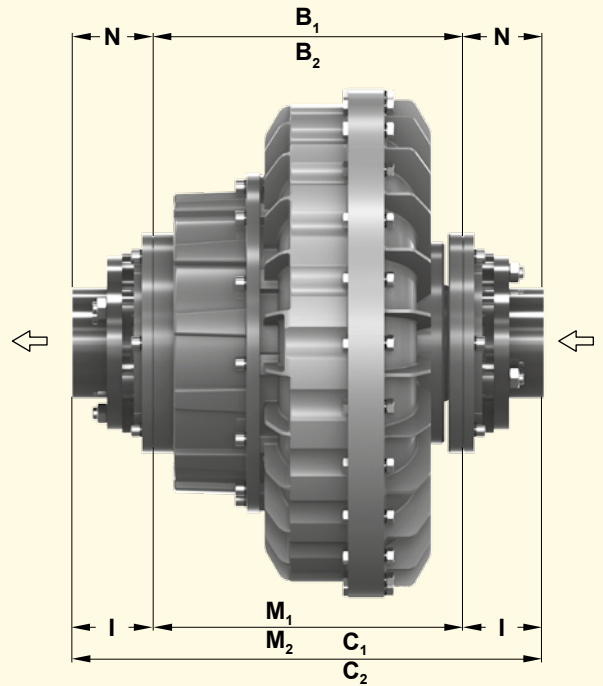
Size	D		J	A	B	C	C <sub>1</sub>	C <sub>2</sub>	E	F	G	H	L	P	Q	R	S	Elastic coupling	Weight kg (without oil)				
	KRM	CKRM	KRM	CKRM	CCKRM	KRM	CKRM	CCKRM	KRM	CKRM	CCKRM	KRM	CKRM	CCKRM	KRM	CKRM	CCKRM		KRM	CKRM	CCKRM	KRM	CKRM
21	80	90	170	620	205	496	596	686	45	250	90	378	110	144	M36	M36	130	M20	M24	65 F	124	134	142
	100...																210		531				
24	80	90	170	715	229	496	596	686	21	250	90	378	110	144	M36	M36	130	M20	M24	65 F	142	152	160
	100...																210		531				
27	120 max		210	780	278	525	643	743	6	315	100	462	122	160	M45	M45	167 (for max bore)	M24		66 F	211	229	248
29	135 max		240	860	295	577	659	795	18	350	120	530	145	192	M45	M45	167 (for max bore)	M24		68 F	293	311	321
34	150 max		265	1000	368	648	779	879	19	400	140	630	165	224	M45	M45	200 (for max bore)	M36		610 F	467	462	492

- D BORES WITH A KEYWAY ACCORDING TO ISO 773 - DIN 6885/1
- STANDARD DIMENSIONS WITH A KEYWAY ISO 773 - DIN 6885/1
- ... STANDARD DIMENSIONS WITH REDUCED KEYWAY (DIN 6885/2)
- WHEN ORDERING, SPECIFY: SIZE - SERIE D DIAMETER - EXAMPLE: 13 CKRM-D 55

DIMENSIONS ARE SUBJECT TO ALTERATION WITHOUT NOTICE



**KDM**



**CKDM - CCKDM**

**NB:** The arrows ⇐ indicate input and output in the standard versions.

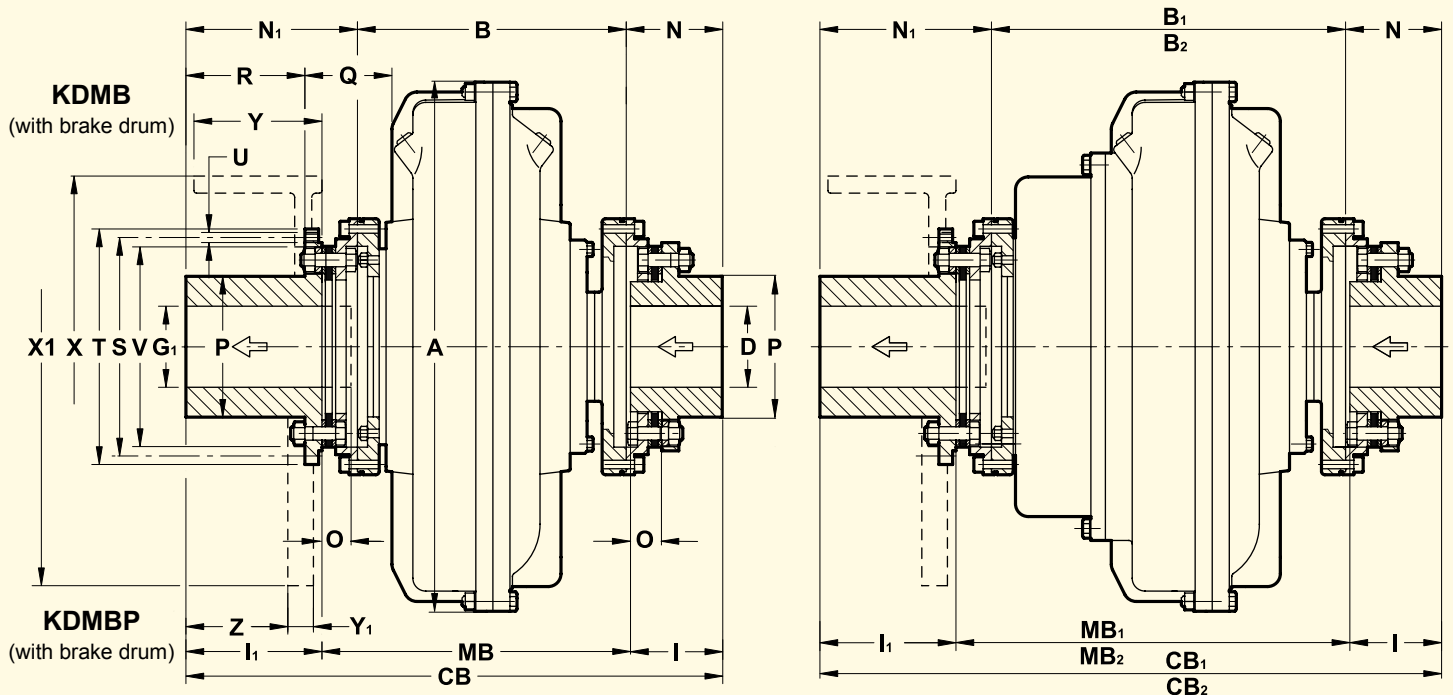
FLUID COUPLING FITTED WITH HALF DISC COUPLINGS, WITHOUT MAINTENANCE AND PRSCRIBED FOR PARTICULAR AMBIENT CONDITIONS. TO BE RADIALLY DISASSEMBLED WITHOUT MOVING THE MACHINES.

⇨⇨ Dimensions

Size	A	B	B <sub>1</sub>	B <sub>2</sub>	C	C <sub>1</sub>	C <sub>2</sub>	D <sub>G</sub> min	D <sub>G</sub> max	H	I	M	M <sub>1</sub>	M <sub>2</sub>	N	P	Disc coupling size	Weight kg (without oil)		
	KDM	CKDM	CCKDM	KDM	CKDM	CCKDM	KDM	CKDM	CCKDM	KDM	CKDM	CCKDM	KDM	CKDM	CCKDM	KDM		CKDM	CCKDM	
11	325		232		289	335		16	55	123	50	189	235		51.5	76	1055	22.5	25	
12	372	186	253	-		356	-						256				1055	26	29	-
13	398	216	276		339	399		21	65	147	60	219	279		61.5	88	1065	41.3	44.3	
15	460	246	314	364	391	459	509	21	75	166	70	251	319	369	72.5	104	1075	65	69	76.7
17	520																1085	89	95	104
19	565	269	349	429	444	524	604	31	90	192	85	274	354	434	87.5	122	1085	96	102	111
21	620																1110	159	169	177
24	714	315	415	505	540	640	730	41	115	244	110	320	420	510	112.5	154	1110	177	187	195
27	780	358	476	576	644	762	862					364	482	582			1140	289	307	326
29	860	387	505	605	673	791	891	51	135	300	140	393	511	611	143	196	1140	342	360	370
34	1000	442	573	673	768	899	999	61	165	340	160	448	579	679	163	228	1160	556	562	572

- WHEN ORDERING, SPECIFY: SIZE - MODEL
  - FINISHED D-G BORES UPON REQUEST
- EXAMPLE: 27 CKDM

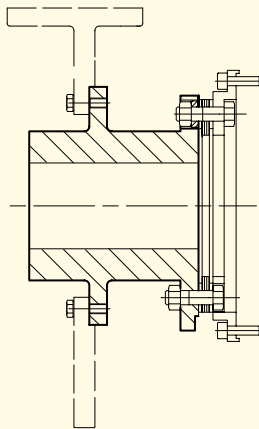
DIMENSIONS ARE SUBJECT TO ALTERATION WITHOUT NOTICE



NB: The arrows  $\leftarrow$  indicate input and output in the standard versions.

$\Rightarrow$  Dimensions

ONLY FOR 27 - 29 ARE AVAILABLE HUBS FOR BRAKE DRUM/DISC WITH CENTRAL FLANGE



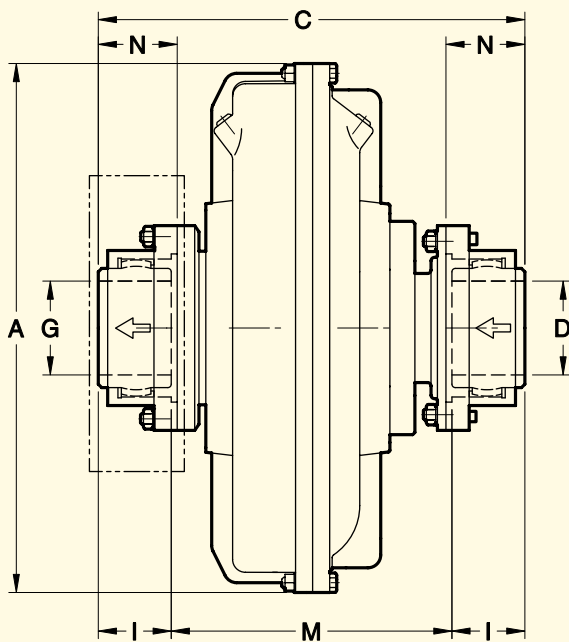
Size	Brake drum X - Y	Brake disc X <sub>1</sub> - Y <sub>1</sub>	Weight kg (without oil, brake drum and disc)		
			KD..	CKD..	CCKD..
12	200 - 75	on request	27	30	-
13			42.5	45.8	
15	250 - 95	450 - 30	69.3	73.3	81
17	315 - 118	500 - 30	99	105	114
19	400 - 150	560 - 30	105	112	125
21	400 - 150	630 - 30	179	189	197
24	500 - 190	710 - 30	197	207	215
27	500 - 190	800 - 30	317	335	354
29			370	388	398
34	on request	800 - 30 1000 - 30	599	587	597

$\Rightarrow$  Dimensions

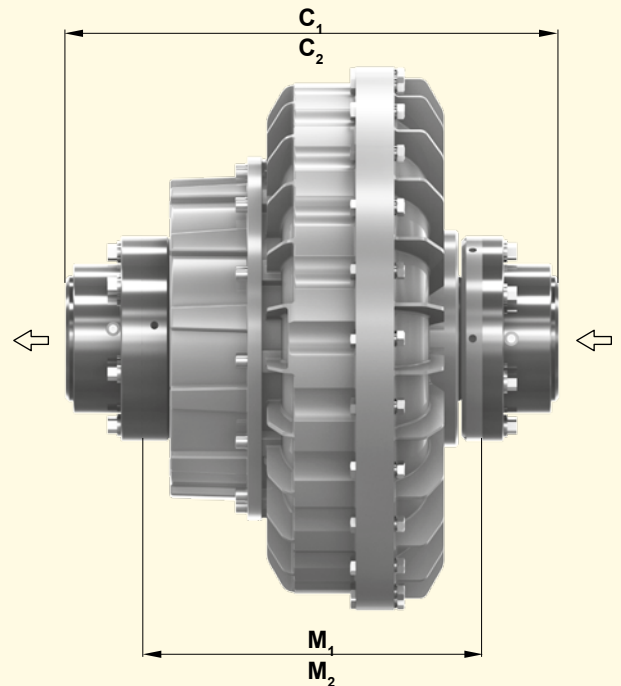
Size	A	B	B <sub>1</sub>	B <sub>2</sub>	CB	CB <sub>1</sub>	CB <sub>2</sub>	D	G <sub>1</sub>	I	I <sub>1</sub>	MB	MB <sub>1</sub>	MB <sub>2</sub>	N	N <sub>1</sub>	O	P	Q	R	S	T	U	V	Z	Disc coupling size	
	KDM	CKDM	CCKDM	KD..	CKD..	CCKD..	max	max	std	max	KD...	CKD..	CCKD..	St						±0.1	f7	Nr.	Ø				
12	372	186	253	-	336.5	403.5	-	55	60	50	80	206.5	273.5	-	51.5	99	17.5	76	67	69	128	142	8	M8	114	-	1055
13	398	216	276	-	440.5	500.5	-	65	70	60	140	240.5	300.5	-	61.5	163	21.5	88	78	129	155	170			140	-	1065
15	460	246	314	364	495.5	563.5	613.5	75	80	70	150	275.5	343.5	393.5	72.5	177	24.5	104	98	134	175	192			157	109	1075
17	520	269	349	429	548.5	628.5	708.5	90	95	85	160	210	303.5	383.5	463.5	87.5	192	29.5	122	107	143	204	224	12	185	118	1085
19	565																			87							
21	620	315	415	505	628.5	728.5	818.5	115	120	110	240	358.5	458.5	548.5	112.5	201	38.5	154	133	137	256	276	M12	234	112	1110	
24	714																		109								
27	780	358	476	576	731.5	849.5	949.5	135	145	140	180	411.5	529.5	629.5	143	230.5	47.5	196	107	155	315	338	M14	286	133	1140	
29	860	387	505	605	760.5	878.5	978.5												109								
34	1000	442	573	673	845.5	976.5	1076.5	165	175	160		505.5	636.5	736.5	163	240.5	57.5	228	124	152	356	382	M16	325	130	1160	

- WHEN ORDERING, SPECIFY: SIZE - MODEL
- D AND G<sub>1</sub> FINISHED BORES UPON REQUEST, AND SPECIAL I<sub>1</sub> DIMENSION
- FOR BRAKE DRUM OR DISC, SPECIFY DIMENSIONS X AND Y OR X<sub>1</sub> AND Y<sub>1</sub>
- EXAMPLE : 17KDMB - BRAKE DRUM 400 x 150

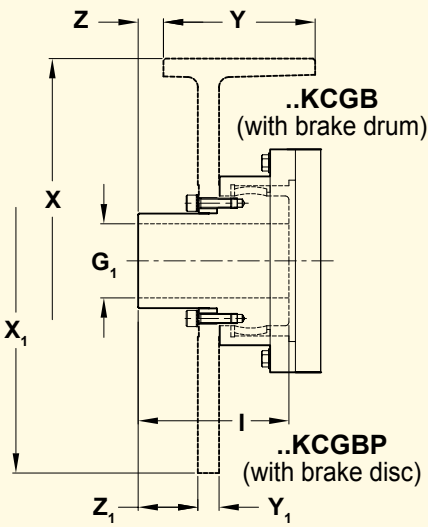
DIMENSIONS ARE SUBJECT TO ALTERATION WITHOUT NOTICE



**KCG**



**CKCG - CCKCG**



Brake drum or disc upon request

**NB:** The arrows  $\leftarrow$  indicate input and output in the standard versions.

FLUID COUPLING FITTED WITH HALF GEAR COUPLINGS, TO BE RADIALLY DISASSEMBLED WITHOUT MOVING THE MACHINES

$\rightleftarrows$  Dimensions

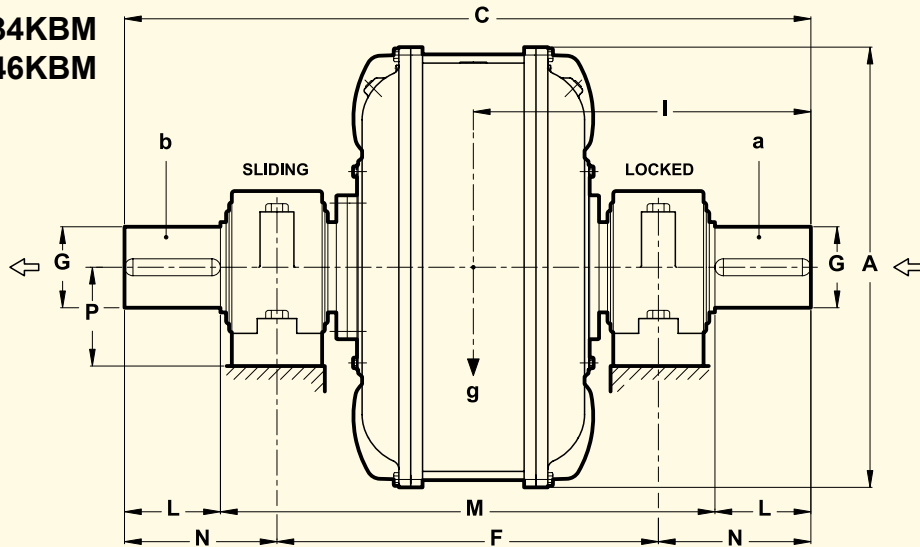
Size	A		C		C1	C2	D	G1	I	I1	M	M1	M2	N	Brake drum X - Y	Z	Brake drum X1 - Y1	Z1	Gear Couplig Size	Weight kg (without oil)		
	KCG	CKCG	KCG	CKCG	CKCG	max	max			KCG	CKCG	CCKCG							KCG	CKGC	CCKCG	
7	228	229					50	-	43	80	143			44.5	•	•	•	•	1" E.I. (5) (6)	11.3		
8	256	234									148	-								11.7	-	
9	295	290.6									190.6									22.9		
11	325	299.6	345.6								199.6	245.6							1 1/2" E.I. (5) (6)	24.9	27.4	
12	372	299.6	366.6				65	45	50	114		266.6		50.8	250-95	45	400-30	32		28.5	31.4	
13	398	325.1	385.6								225.1	285.1								37.6	40.6	
15	460	410	478	528							258	326	376						2"	76.6	80.6	88.3
17	520						95	65	76	146				79.5	250-95 315-118	57.5 21.5	400-30 445-30	44.5	2 1/2" E.I. (5) (6)	91.1	97.1	106.1
19	565	434	514	594							282	362	442							98.1	104.1	113.1
21	620																		3"	142.3	152.3	160.3
24	714	503	603	693	111	90	90	165	323	423	513	93.5		315-118 400-150	26 15	560-30 710-30	38 38	3" E.I. (5) (6)	160.3	170.3	178.3	
27	780	627	754	845	134	110	105	170	417	535	635	109.5		500-190	6	795-30	30	3 1/2" E.I. (5) (6)	253.2	272.2	291.2	
29	860	656	774	874	160	120	120	190	446	564	664								307.2	325.2	335.2	
34	1000	750	881	981	160	120	120	190	510	641	741	123.5		•	•	800-30	42	4" E.I. (5) (6)	492.4	507.4	517.4	
46	1330	-	-	1313.4	244	175	190	280	-	-	933.4	192.5		•	•	•	•	6" E.I. (5) (6)	-	-	1333	

- UPON REQUEST
- (5) E.I. = EXPOSED INCH SCREWS
- (6) GEAR COUPLING WITH SPECIAL CALIBRATED BOLTS
- WHEN ORDERING, SPECIFY: SIZE - MODEL
- EXAMPLE: 21CKCG

DIMENSIONS ARE SUBJECT TO ALTERATION WITHOUT NOTICE

FLUID COUPLING WITH DOUBLE CIRCUIT, FITTED WITH MAIN JOURNALS AND INPUT AND OUTPUT SHAFTS

**D34KBM  
D46KBM**



SERIES	A	C	F	D-G m6	L	M	N	P	WEIGHT Kg (Without oil)	OIL max. l	CENTER OF GRAVITY		MOMENT OF INERTIA J (WR2) Kgm <sup>2</sup>	
											g Kg	l mm	a	b
D34KBM	1000	1400	855	140	140	1120	257.5	170	810	162	952	710	26.19	64.25
D46KBM	1330	1900	1275	160	200	1550	312.5	170	2200	390	2514	955	91.25	183.7

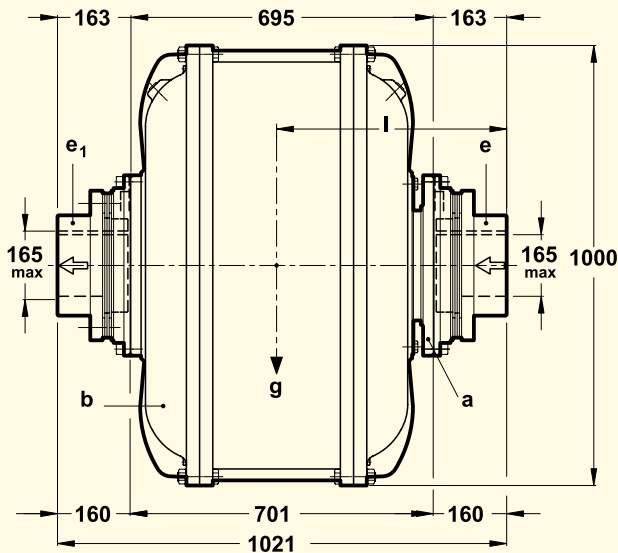
KEYWAYS ACCORDING TO ISO 773 - DIN 6885/1

FLUID COUPLINGS FITTED WITH DOUBLE CIRCUIT, TO BE RADIALLY DISASSEMBLED WITHOUT MOVING THE MACHINES.

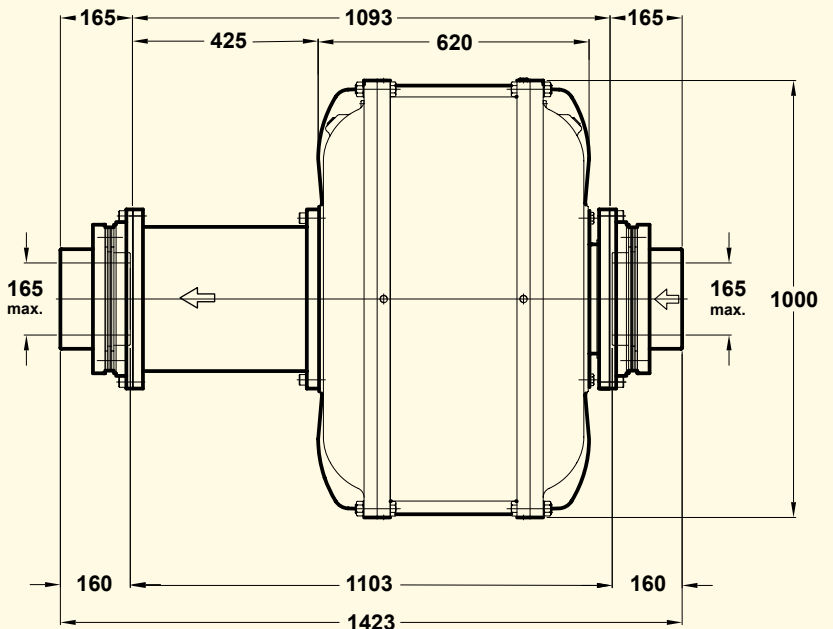
WITH HALF DISC COUPLINGS, WITHOUT MAINTENANCE

WITH HALF DISC COUPLINGS

**D34KDM**



**D34CKDM**



NB: The arrows ⇐ indicate input and output in the standard versions.

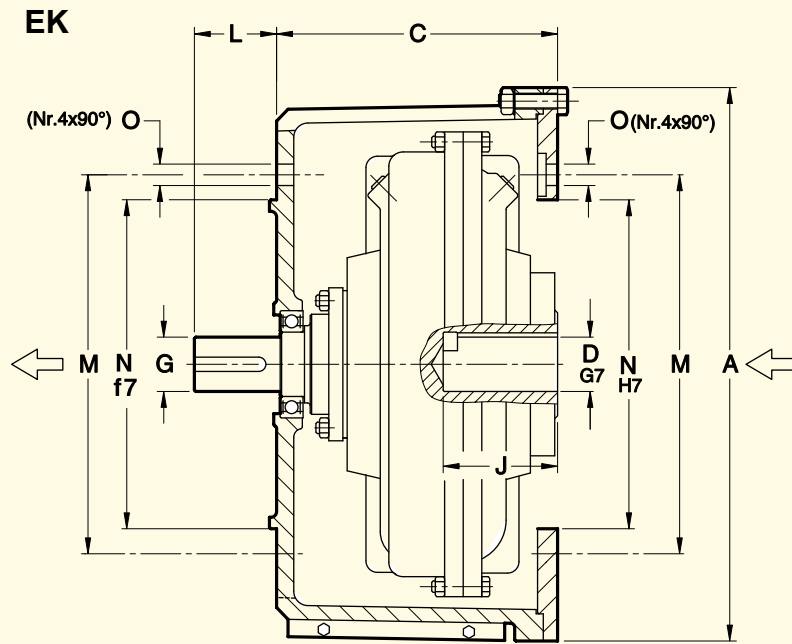
⇨⇨ Dimensions

Size	WEIGHT Kg (without oil)	OIL max. l	CENTER OF GRAVITY		MOMENT OF INERTIA J (WR2) Kgm <sup>2</sup>			
			g kg	l mm	a	b	c	d
D34KDM	880	162	1022	512	26.08	65.53	0.955	0.955
D34CKDM	1014	194.5	194.5	532	26.08	67.99	0.955	0.955

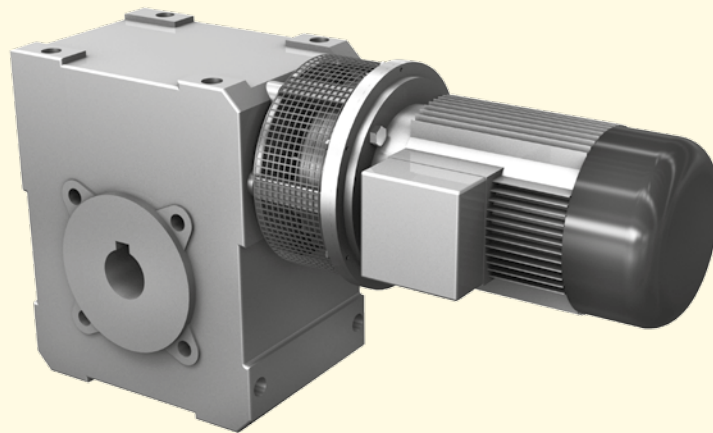
- g = TOTAL WEIGHT INCLUDING OIL (MAX FILL)
- a = INTERNAL ELEMENT
- b = EXTERNAL ELEMENT
- d = HALF FLEXIBLE COUPLING (INTERNAL ELEMENT)
- d<sub>1</sub> = HALF FLEXIBLE COUPLING (EXTERNAL ELEMENT)

Also available D46KCG. For information please apply Transfluid

DIMENSIONS ARE SUBJECT TO ALTERATION WITHOUT NOTICE



Example for application



NB: The arrows ← indicate input and output in the standard versions.

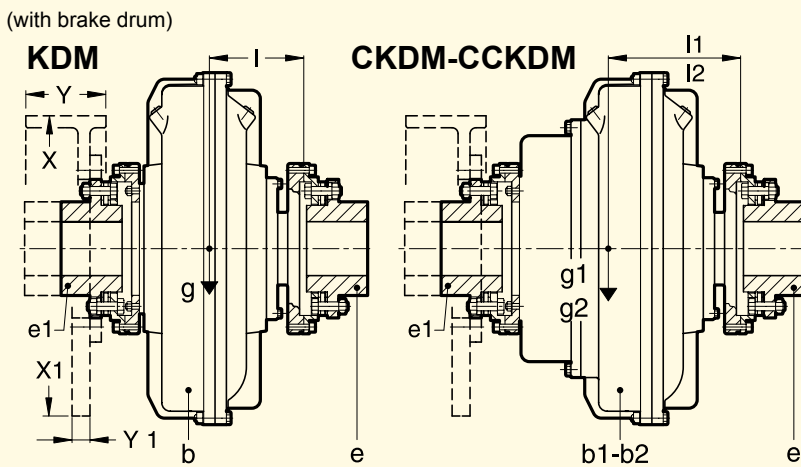
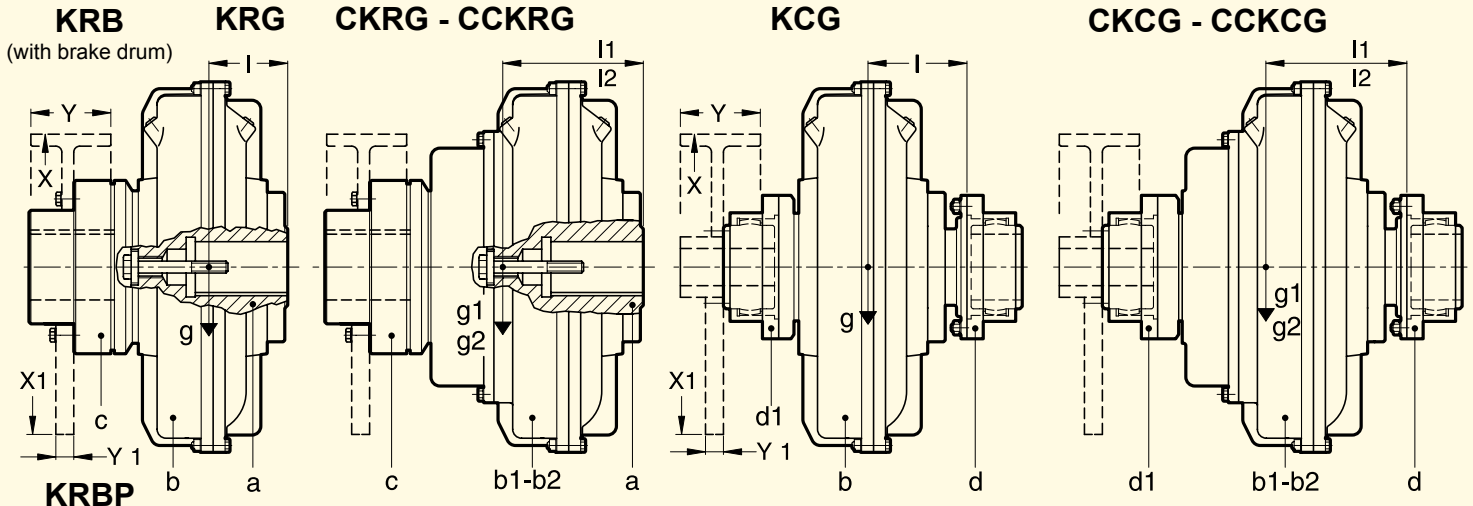
Dimensions

Size	D	J	G	L	A	C	M	N	O	Weight kg (without oil)	OIL max l	Electric motors	
									TYPE			kW 1500 rpm	
7	• 24	52	24	38	269	132	165	130	11	11.4	0.92	90S - 90L **90LL	1.1 - 1.5 1.6
8	• 28	62	28 h7	44	299	142	215	180	13	12.2	1.5	100 L 112 M	2.2 - 3 4
9	• 38	82	38	57	399	187	265	230	13	26.9	1.95	132S - 132M ** 132L	5.5 - 7.5 9.2
11	• 42	112	42	63	399	187	300	250	17	28.3	2.75	160M - 160 L	11 - 15
12	•• 48	112	48 j7	65	485	214	300	250	17	66	4.1	180 M 180 L	18.5 22
13	• 55	112	55	80			350	300		76	5.2	200 L	30

- CYLINDRICAL BORE WITH A KEYWAY ISO 773 - DIN 6885/1
  - CYLINDRICAL BORE WITH A REDUCED KEYWAY (DIN 6885/2)
  - \*\* NOT STANDARD
- WHEN ORDERING SPECIFY: SIZE - MODEL - DIAMETER D and G  
EXAMPLE: 8 EK-D28 - G 28

DIMENSIONS ARE SUBJECT TO ALTERATION WITHOUT NOTICE





⇒ Dimensions

Size	MOMENT OF INERTIA					
	With brake drum			With brake disc		
	X - Y	kgm <sup>2</sup>	Weight kg	X <sub>1</sub> - Y <sub>1</sub>	kgm <sup>2</sup>	Weight kg
13-15	250 -95	0.143	11.9	400	0.587	27
	315 -118	0.379	20.1	450	0.944	34.9
17-19	315 -118	0.378	19.8	450	0.941	34.2
	400 -150	1.156	37.5	500	1.438	43
21-24	400 -150	1.201	39.9	560	2.255	52.7
				630	3.623	68.1
	500 -190	3.033	64.1	710	5.856	88
				795	9.217	111.6
27-29	500 -190	3.022	62.8	710	5.840	86
				800	9.434	111.1
				800	9.418	109.6
34	630 -236	10.026	132.6	800	9.418	109.6
				1000	23.070	176.2

⇒ Dimensions

Size	CENTER OF GRAVITY																	
	KRG		CKRG		CCKRG		KCG		CKCG		CCKCG		KDM		CKDM		CCKDM	
	g Kg	l mm	g <sub>1</sub> Kg	l <sub>1</sub> mm	g <sub>2</sub> Kg	l <sub>2</sub> mm	g Kg	l mm	g <sub>1</sub> Kg	l <sub>1</sub> mm	g <sub>2</sub> Kg	l <sub>2</sub> mm	g Kg	l mm	g <sub>1</sub> Kg	l <sub>1</sub> mm	g <sub>2</sub> Kg	l <sub>2</sub> mm
7	9.1	92					12.1	70										
8	10	93					13	73										
9	17.7	134					24.6	86					22.2	81				
11	20.4	136	23.4	151			27.3	93	30.2	107			24.9	85	27.9	98		
12	25.1	142	28.7	154			32.1	98	35.6	113			29.6	92	33.2	104		
13	38.5	157	42	176			42.2	104	45.7	115			45.8	101	49.3	109		
15	57	174	61.8	195	70.2	216	77.3	124	82.1	135	90.4	147	71.7	121.5	76.6	130	85.7	145
17	87.2	205	94.8	225	106.5	238	85.3	138	103.1	152	126.6	185	99.2	135	106.9	145	118.3	163
19	96.4	201	104.4	221	116	227	104.6		112.6		136	182	106.4		116.4		127.4	161
21	145.6	233	159	265	169.3	288	151.2	157	164.5	174	200.2	211	175.6	156	189	168	201	182
24	172	227	184	255	195.3	280	177.2		190.2	170	225.2	201	202		214.3	166	226	178
27	265	262	290	298	313	312	276.2	185	304.2	210	361.2	248	326	164	351	174	378	195
29	329	277	354	305	368	321	344.2	198	359.2	218	415.2	251	383	176	411	188	432	200
34	521	333	549	364	580	376	548.9	235	571.9	253	582.9	282	628	209	636	214	650	222
36					1294	485					1524	368						

⇒ Dimensions

Size	MOMENT OF INERTIA J kgm <sup>2</sup>									
	..K..		..KRG		..KCG		..KDM			
	a	b	b <sub>1</sub>	b <sub>2</sub>	c	d	d <sub>1</sub>	e	e <sub>1</sub>	
0.006	0.019				0.004	0.004	0.004	-	-	
0.012	0.034									
0.020	0.068									
0.039	0.109				0.011	0.017	0.016	0.014	0.014	
0.072	0.189	0.217								
0.122	0.307	0.359			0.032			0.032	0.036	
0.236	0.591	0.601	0.887		0.082	0.091	0.102	0.063	0.064	
0.465	1.025	1.281	1.372		0.192	0.091	0.102	0.121	0.125	
0.770	1.533	1.788	1.879							
1.244	2.407	2.997	3.181							
2.546	4.646	5.236	5.420	0.370	0.145	0.375	0.210	0.373		
3.278	7.353	9.410	10.37							
4.750	11.070	13.126	13.754	1.350	0.500	0.436	0.934	0.887		
11.950	27.299	29.356	29.983	3.185	0.798	1.649	1.565	2.773		
52.2			106.6	6.68	4.35	7.14				

g g<sub>1</sub> g<sub>2</sub> = TOTAL WEIGHT, INCLUDING OIL (MAX FILL)

\* For **KSD** (without pulley) = a + b

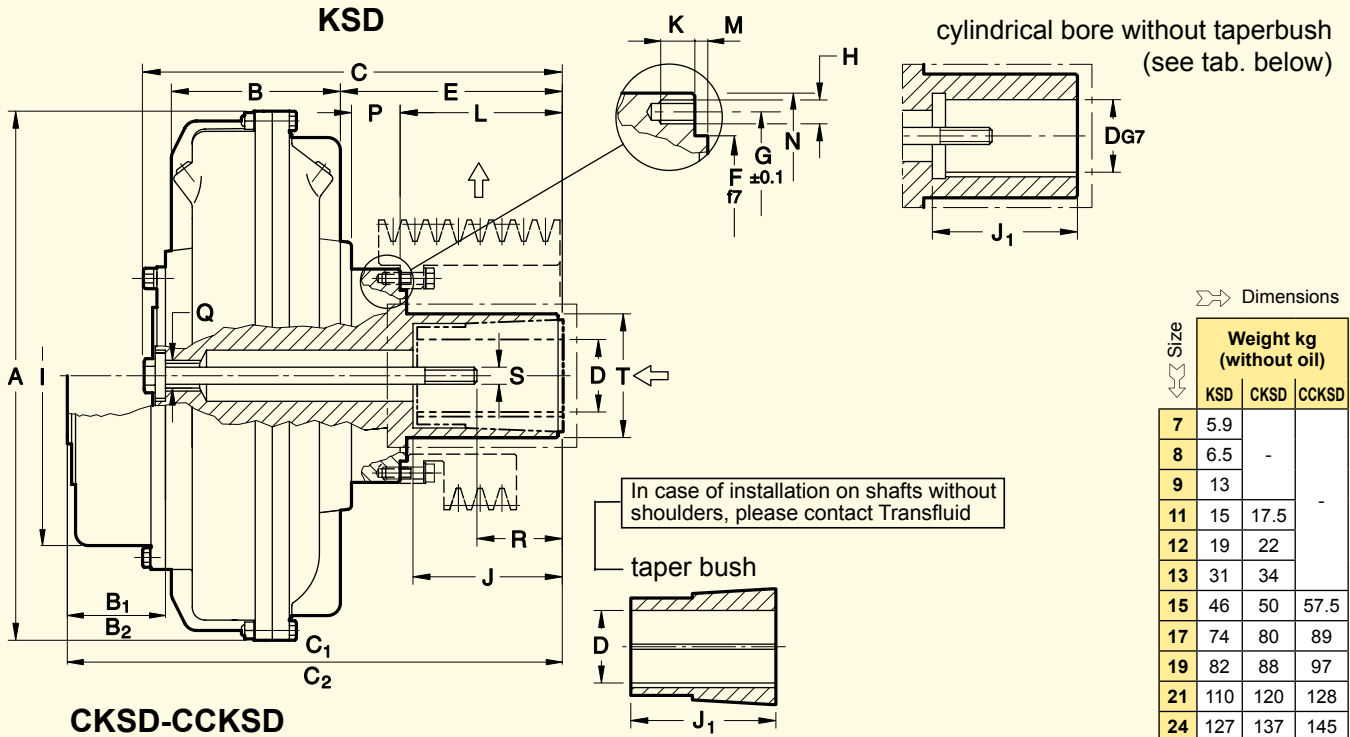
\* For **CKSD** (without pulley) = a + b<sub>1</sub>

\* For **CCKSD** (without pulley) = a + b<sub>2</sub>

a = INTERNAL ELEMENT      b = EXTERNAL ELEMENT + COVER  
 b<sub>1</sub> = b + DELAY CHAMBER      b<sub>2</sub> = b + DOUBLE DELAY CHAMBER  
 c = FLEXIBLE COUPLING  
 d e = HALF FLEXIBLE COUPLING (INTERNAL ELEMENT)  
 d<sub>1</sub> e<sub>1</sub> = HALF FLEXIBLE COUPLING (EXTERNAL ELEMENT)  
 EXAMPLE: J..CCKCG = a+d (INT. ELEM.) b<sub>2</sub>+d<sub>1</sub> (EXT. ELEM.)

DIMENSIONS ARE SUBJECT TO ALTERATION WITHOUT NOTICE

SERIES 7 ÷ 27 - KSD - CKSD - CCKSD



NB: The arrows ← indicate input and output in the standard versions.

Dimensions

TAPER BUSH VERSION

Size	D		J	J <sub>1</sub>		A	B	B <sub>1</sub> B <sub>2</sub> C			E	F	G	H	I	K	L	M	N	P	Q	R		S		T
	KSD	CKSD		CCKSD	max			CKSD	CCKSD	Nr.												Ø	max	max	max	
7	19	24	69	40	50	228	77				55											29	38	M6	M8	50
	28			60																		174	70	75	90	
8	24	38	111	50	80	256	91				81											33		M8		69
	28			60																		194	81	96	114	
9	28	38	111	60	80	295	96				116											39	61	M10	M12	80
	•••42			80																		250	116	114	8	
11	28	38	111	60	80	325	107	73.5			113											38	59	M10	M12	80
	•••42			80																		259	289.5	113	8	
12	38	42	113	80	110	372	122	80			125	112	130									54	83	M12	M16	88
	•••48			110																		274	327	125	112	
13	42	48	144	110	110	398	137				190	135	155									76		M16		100
	•••55	•••60		110	58.5																	367	407	190	135	
15	48	55	145	110	140	460	151	92	142	390	438	488	195	150	178							76	106	M20		100
	60	•••65		140																		390	438	488	195	
17	48	55	145	110	140	520	170				245											69				132
	60	•••65		140																		245	180	200	12	
19	48	55	145	110	140	565	190	101	181	455	516	596										69				132
	60	•••65		140																		225	180	200	12	
19	48	55	145	110	140	565	190	101	181	455	516	596										99	139			132
	60	•••65		140																		225	180	200	12	

- D BORES RELATIVE TO TAPER BUSHES WITH A KEYWAY ACCORDING TO ISO 773 - DIN 6885/1
- PARTICULAR CASES:
- CYLINDRICAL BORE WITHOUT TAPER BUSH ISO 773 - DIN 6885/1
- TAPER BUSH WITHOUT A KEYWAY

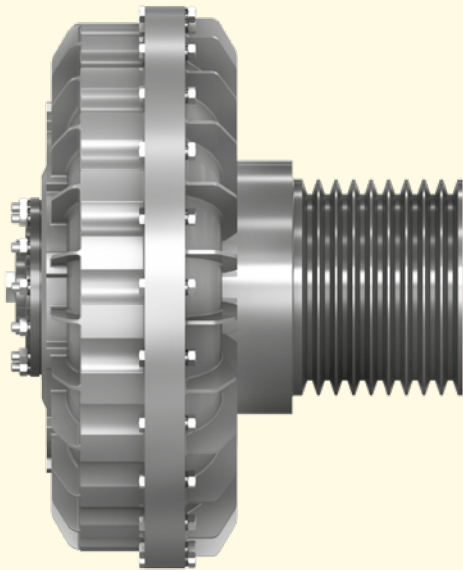
CYLINDRICAL BORE VERSION

21	•80	-	170	620	205	115	205	505	580	670	260	200	228	8	M14	400	23	190	7	250	57	M36	135	M20	145
	•100		210					545	620	710	300							230			165		M24		
24	•80	-	170	714	229	115	205	505	580	670	236	200	228	8	M14	400	23	190	7	250	M36	135	M20	145	
	•100		210					545	620	710	276							230			165	M24			
27	120 max	-	210	780	278	138		CONSULT OUR ENGINEERS																	

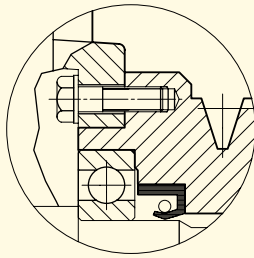
- STANDARD CYLINDRICAL BORES WITH KEYWAYS ACCORDING TO ISO 773 - DIN 6885/1
- WHEN ORDERING SPECIFY: SIZE - MODEL - D DIAMETER
- EXAMPLE: 12KSD - D 42

DIMENSIONS ARE SUBJECT TO ALTERATION WITHOUT NOTICE

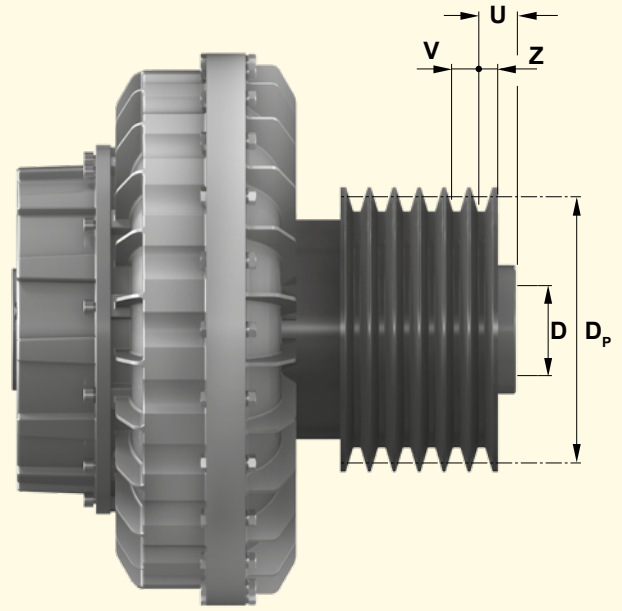
**KSI - CKSI - CCKSI**



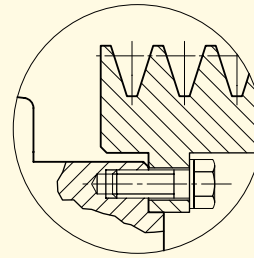
...KSI



**KSDF - CKSDF - CCKSDF**



...KSDF



⇨ Dimensions

Size	D	U	Flanged pulley	
			Dp	N° type
7	19 - 24	6	125	2 - SPA/A
	28	21	125	
8	19 - 24	36	125	3 - SPA/A
	28	9	112	
9	28 - 38	34	160	4 - SPB/B
11	42	58	200	3 - SPB/B
		50	180	4 - SPB/B
12	38 - 42 48	51	200	3 - SPC/C
		26	180	4 - SPC/C
		12.5	180	6 - SPB/B
13	42 - 48 55 - 60	50	250	6 - SPB/B
		49	250	5 - SPC/C
		12.5	200	6 - SPB/B
15	48 - 55 60 - 65	17	250	5 - SPC/C
		69	280	5 - SPB/B
		72.5	280	6 - SPB/B
		85.5	310	6 - SPC/C
17 19	67 - 75 80	72.5	315	6 - SPC/C
		72.5	315	6 - SPB/B
		59	345	6 - SPC/C
21 24 27	Upon request			

⇨ Dimensions

Size	D	U	Integral pulley	
			Dp	N° type
7	19 - 24	11.5	80	2 - SPA/A
			90	
	28	26.5	100	
			80	
8	19 - 24 28	26.5	90	3 - SPA/A
			100	
9	28 - 38	10	112	5 - SPA/A
11	42	15	125	4 - SPB/B
12	38 - 42 48	12	140	5 - SPB/B

GROOVE	V	Z
SPZ/Z	12	8
SPA/A	15	10
SPB/B	19	12.5
SPC/C	25.5	17
D	37	24
3 V	10.3	8.7
5 V	17.5	12.7
8 V	28.6	19

– WHEN ORDERING, SPECIFY: SIZE - MODEL - D DIAMETER - Dp - NUMBER AND TYPE OF GROOVES  
EXAMPLE: 13 CKSDF - D55 - PULLEY Dp. 250 - 5 SPC/C

DIMENSIONS ARE SUBJECT TO ALTERATION WITHOUT NOTICE

# FILLING

## SAFETY DEVICES – OPERATION

### 10. FILLING

Transfluid hydraulic couplings are supplied without oil. Standard filling: X for K series, 2 for CK series, and 3 for CCK series. The quantities are indicated on page 13 and 15 of this catalog. Follow the procedure indicated on Installation and Maintenance manuals 150 GB and 155 GB delivered with each coupling. Suggested oil: **ISO32 HM** for normal operating temperatures. For temperatures down zero, **ISO FD 10 (SAE 5W)** and for temperatures lower than  $-20^{\circ}\text{C}$  contact TRANSFLUID.

### 11. SAFETY DEVICES

#### FUSIBLE PLUG

In case of overloads, or when slip reaches very high values, oil temperature increases excessively, damaging oil seals and consequently allowing leakage. To avoid damage when used in severe applications, it is advisable to fit a fusible plug. Fluid couplings are supplied with a fusible plug at  $140^{\circ}\text{C}$  ( $109^{\circ}\text{C}$ ,  $120^{\circ}\text{C}$  or  $198^{\circ}\text{C}$  upon request).

#### SWITCHING PIN

Oil venting from fusible plug may be avoided with the installation of a switching pin. When the temperature reaches the melting point of the fusible ring element, a pin releases that intercepts a relay cam that can be used for an alarm or stopping the main motor. As for the fusible plug, 2 different fusible rings are available (see page 27).

#### 11.1 SWITCHING PIN DEVICE

This device includes a percussion fusible plug installed on the taper plug. The percussion fusible plug is made of a threaded plug and a pin held by a fusible ring coming out due to the centrifugal force when the foreseen melting temperature is reached. Such increase of temperature can be due to overload, machinery blockage or insufficient oil filling. The pin, moving by approx. 16 mm, intercepts the cam of the switch to operate an alarm or motor trip signal.

After a possible intervention and removal of the producing reason, this device can be easily restored with the replacement of the percussion plug or even the fusible ring following the specific instructions included in the instruction manual.

With external wheel as driver, as indicated in Fig. 5, the percussion plug operates in any condition, while in case of driven external wheel it can operate correctly only in case of increase of the slip due to overload or excessive absorption.

It is possible to install this system on all fluid couplings starting from size 13K even in case it has not been included as initial supply, asking for a kit including percussion fusible plug, gasket, modified taper plug, counterweight for balancing, glue, lever switch assembly installation instructions.

In order to increase the safety of the fluid coupling a standard fusible plug is always installed, set at a temperature greater than that of the percussion fusible plug.

For a correct operation, please refer to the instructions relevant to the standard or reverse installation described at page 6.

- Lever switch standard supply 230 Vac
- Upon request: Atex version
- Switching pin available: see below tab

	<b>MELTING TEMPERATURE</b> $+10^{\circ}\text{C}$ $0$		
	<b>109°C</b>	<b>SPEC.</b>	<b>GA1004D</b>
	<b>120°C</b>	<b>SPEC.</b>	<b>GA1004A</b>
	<b>140°C</b>	<b>SPEC.</b>	<b>GA1004B</b>

### ELECTRONIC OVERLOAD CONTROLLER

This device consists of a proximity sensors measuring the speed variation between the input and output of the fluid coupling and giving an alarm signal or stopping the motor in case the set threshold is overcome.

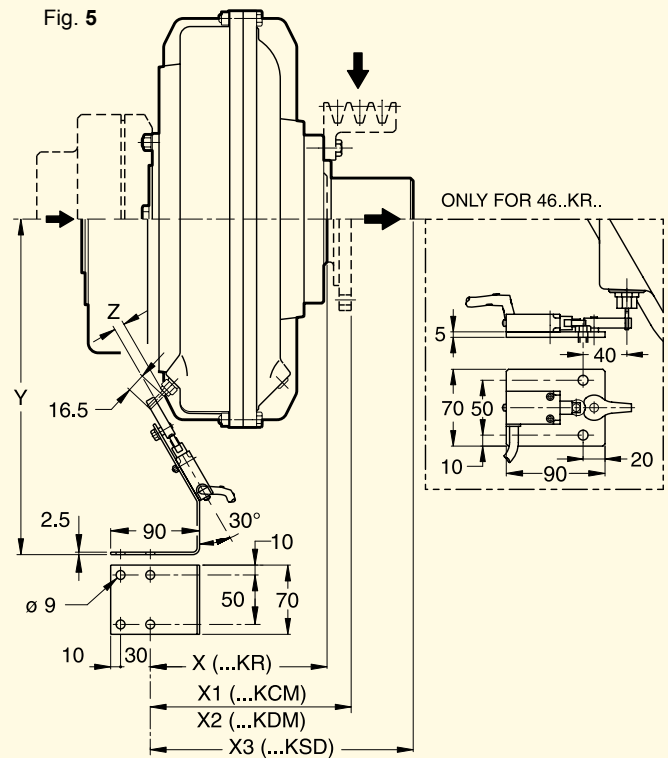
With such a device, as well as with the infrared temperature controller, no further maintenance or repair intervention is necessary after the overload occurrence, because the machinery can operate normally, once the cause of the inconvenience has been removed (see page 28).

### INFRARED TEMPERATURE CONTROLLER

To measure the operating temperature, a device fitted with an infrared sensor is available. After conveniently positioning it by the fluid coupling, it allows a very precise non-contact temperature measurement.

Temperature values are reported on a display that also allows the setting of 2 alarm thresholds, that can be used by the customer (see page 29).

Fig. 5



DIM.	X	X <sub>1</sub>	X <sub>2</sub>	X <sub>3</sub> Ø		Y	Z
7	115	128	-	148	24	262	-
8	124	137	-	163	28	272	-
9	143	166.5	156	187	228	287.5	-
11***	150	173.5	163	236	300.5	-	-
12	157	183.5	173	258	323	15	-
13	174	195.5	187	336	335	16	-
15	197	220	214	357	358	16	-
17	217	240	235	425	382	12	-
19	209	232	227	417	400.5	9	-
21	•257	282	277	•••472	423	8	-
24	•257	282	277	•••472	460	4	-
27	271.5	331	295	-	491	9	-
29	296.5	356	322	-	524	8	-
34	346	404	369	-	584	4	-

- For Dia. 100 + 35 mm
  - For Dia. 100 + 40 mm
  - Only for K.. (CK.. upon request)
- REFERENCE DIMENSIONS

DIMENSIONS ARE SUBJECT TO ALTERATION WITHOUT NOTICE

**11.2 OVERLOAD CONTROLLER (Fig. 6)**

When load torque increases, slip also increases and output speed consequently decreases.

The said speed variation can be measured by means of a sensor sending a pulse train to the speed controller. If the rotating speed goes lower than the set threshold (see diagram) on the controller, a signal is given through the intervention of the inner relay.

The device has a "TC" timer with a blind time before starting (1 - 120 s) avoiding the alarm intervention during the starting phase, and another "T" timer (1 - 30 s) preventing from undesired relay intervention during sudden changes of torque.

The device also provides a speed proportional analogic output signal (0 - 10 V), that can be forwarded to a display or a signal transducer (4 - 20 mA).

Standard supply is 230 V ac, other supplies are available upon request: 115 V ac, 24 V ac or 24 V dc, to be specified with the order.

Atex version is available too.

**CONTROLLER PANEL (Fig. 7)**

**(TC) Blind time for starting**

Set screw regulation up to 120 s

**(DS) Speed range regulation**

Programmable DIP-SWITCH (5 positions), selecting relay status, proximity type, reset system, acceleration or deceleration.

Programming speed Dip-Switch with 8 positions allows to choose the most suitable speed range, according to the application being performed.

**(SV) Speed level (set point)**

Set screw regulation with digits from 0 to 10. The value 10 corresponds to full range set with Dip-Switch.

**(R) Reset**

Local manual reset is possible through R button, or remote reset by connecting a N.O. contact at pins 2-13.

**(SS) Threshold overtaking**

(RED LED) It lights up every time that the set threshold (set point) is overtaken.

**(A) Alarm led**

(RED LED) It lights up when alarm is ON and the inner relay is closed.

**(E) Enable**

(YELLOW LED) It lights up when the device is enabled.

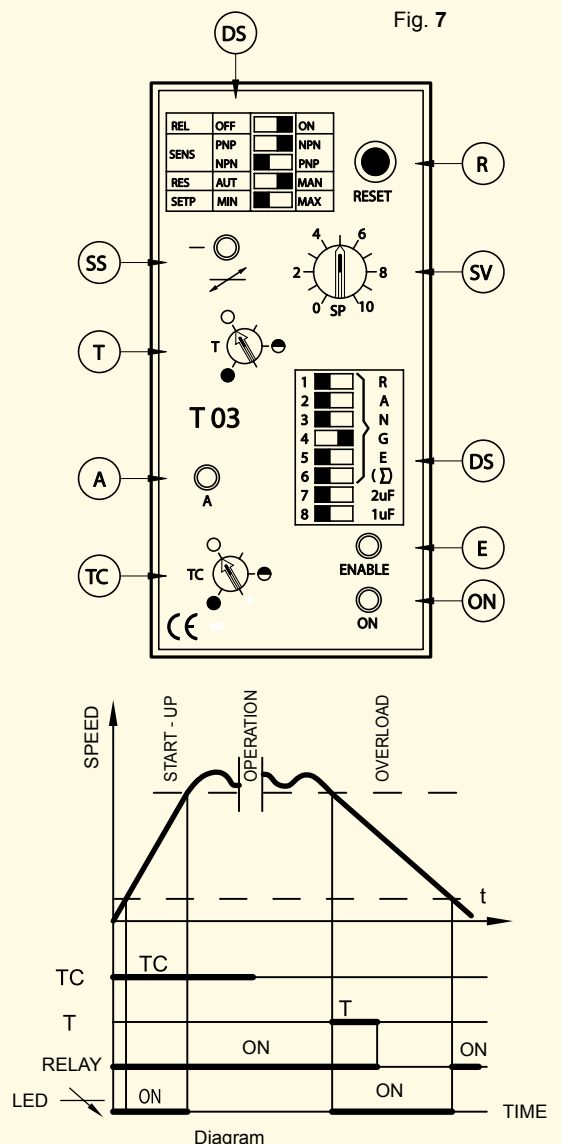
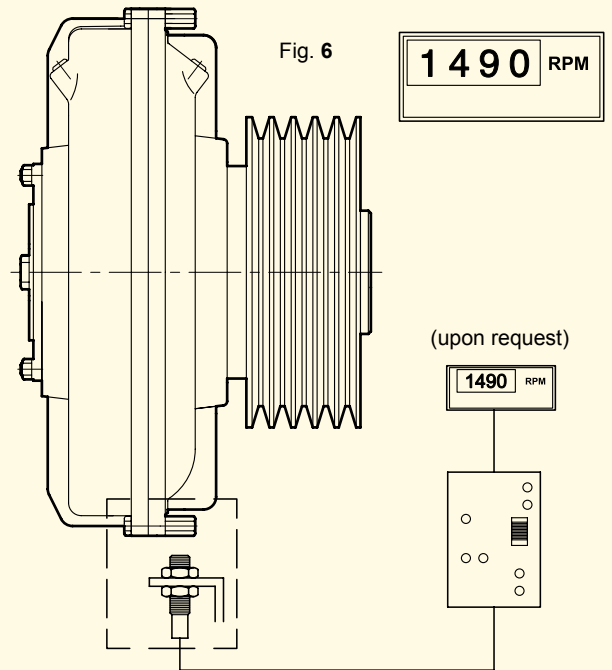
**(T) Delay time**

Set screw regulation up to 30 s.

**(ON) Supply**

(GREEN LED) It shows that the device is electrically supplied.

FOR FURTHER DETAILS, ASK FOR TF 5800-A.



## 11.3 INFRARED TEMPERATURE CONTROLLER

This is a non contact system used to check fluid coupling temperature. It is reliable and easily mounted. It has 2 adjustable thresholds with one logical alarm and one relay alarm.

The proximity sensor must be positioned near the fluid coupling outer impeller or cover, according to one of the layouts shown in Fig. 8.

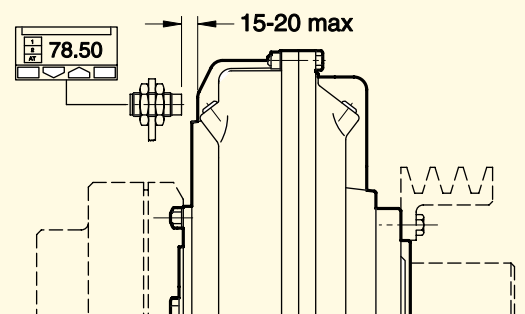
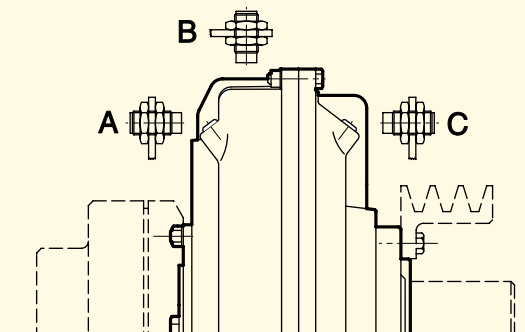
It is advised to place it in the **A** or **C** positions, as the air flow generated by the fluid coupling, during rotation, helps removal dirt particles that may lay on the sensor lens.

The distance between the sensor and the fluid coupling must be about 15-20 mm (cooling fins do not disturb the correct operation of the sensor).

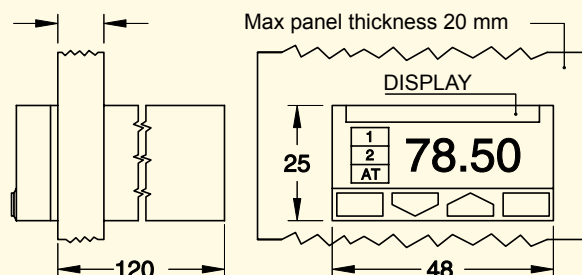
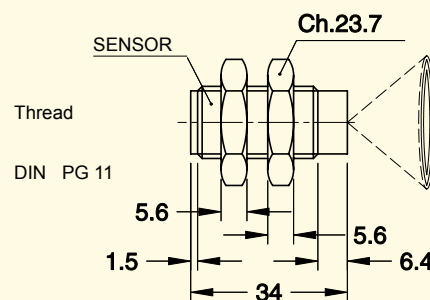
To avoid that the bright surface of the fluid coupling reflects light, and thus compromises a correct temperature reading, it is necessary to paint the surface, directly facing the sensor with a flat black colour (a stripe of 6-7 cm is sufficient).

The sensor cable has a standard length of 90 cm. If required, a longer one may be used only if plaited and shielded as per type "K" thermocouples.

Fig. 8



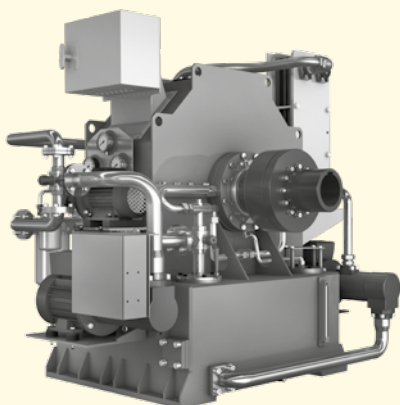
SENSOR	
Temperature range	0 ÷ 200 °C
Ambient temperature	- 18 ÷ 70 °C
Accuracy	0.0001 °C
Dimensions	32.5 x 20 mm
Standard wire lenght •	0.9 m
Body	ABS
Protection	IP 65
CONTROLLER	
Power supply	85...264 Vac / 48...63 Hz
Relay output OP1	No (2A - 250 V)
Logical output OP2	Not insulated
(5Vdc, ±10%, 30 mA max)	
AL1 alarm (display)	Logic (OP2)
AL2 alarm (display)	Relay (OP1) (NO, 2A / 250Vac)
Pins protection	IP 20
Body protection	IP 30
Display protection	IP 65
Dimensions	1/32 DIN – 48x24x120 mm
Weight	100 gr



• TO BE MADE LONGER WITH TWISTED AND SHIELDED WIRES FOR TYPE K THERMOCOUPLES (NOT SUPPLIED)

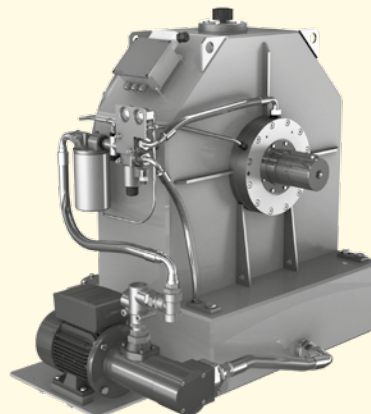
**FLUID COUPLING  
KSL SERIES**

Start up and variable  
speed drive up to 4000 kW



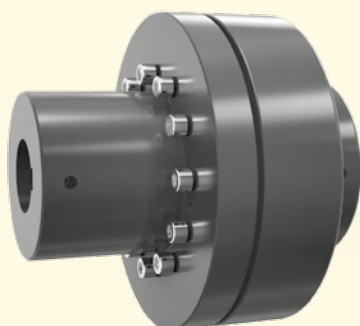
**FLUID COUPLING  
KPT SERIES**

Start up and variable  
speed drive up to 1700 kW



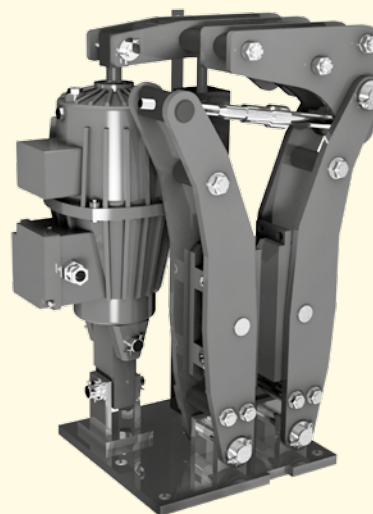
**FLEXIBLE COUPLING  
BM-B3M SERIES**

Up to 33100 Nm



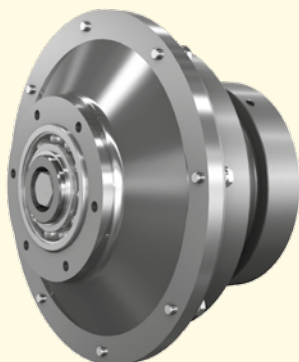
**DISC & DRUM BRAKE  
NBG/TFDS SERIES**

Up to 19000 Nm



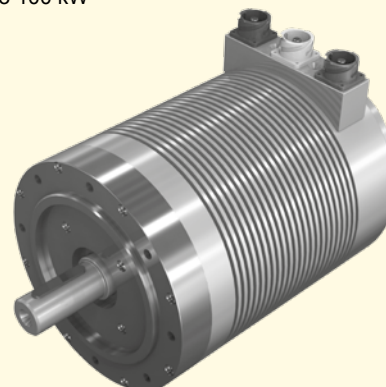
**PNEUMATIC CLUTCH  
TP SERIES**

Up to 16800 Nm


















**ELECTRIC MACHINES  
PERMANENT MAGNETS  
SYNCHRONOUS AC**

Up to 100 kW



### EUROPE




-  **AUSTRIA**  
ASC GMBH  
4470 Enns
-  **BELGIUM - LUXEMBURG**  
TRANSFLUID FRANCE s.a.r.l.  
38110 Rochetoirin  
Ph. +33 9 75635310  
Fax +33 4 26007959  
tffrance@transfluid.it
-  **CZECH REPUBLIC**  
TESPO ENGINEERING s.r.o.  
602 00 Brno
-  **DENMARK (Electric appl.)**  
JENS S. TRANSMISSIONER A/S  
DK 2635 ISHØJ
-  **ENGLAND & IRELAND**  
MARINE AND INDUSTRIAL TRANS. LTD.  
Queenborough Kent me11 5ee
-  **FINLAND (Electric appl.)**  
OY JENS S. AB  
02271 Espoo
- FINLAND (Diesel appl.)**  
TRANS-AUTO AB  
151 48 Södertälje
-  **FRANCE**  
TRANSFLUID FRANCE s.a.r.l.  
38110 Rochetoirin  
Ph. +33 9 75635310  
Fax +33 4 26007959  
tffrance@transfluid.it
-  **GERMANY - HOLLAND**  
TRANSFLUID GERMANY GmbH  
D-48529 Nordhorn  
Ph. +49 5921 7288808  
Fax +49 5921 7288809  
tfgermany@transfluid.it
- NORWAY (Diesel appl.)**  
KGK Norge AS  
0664 Oslo
-  **POLAND**  
SENOMA LTD  
PL40-153 Katowice
-  **PORTUGAL**  
REDVARIO LDA  
2735-469 Cacem
-  **RUSSIA - BELARUS - KAZAKHSTAN**  
TRANSFLUID OOO  
143100 Moscow  
Ph. +7 495 7782042  
Mob. +7 926 8167357  
tfrussia@transfluid.it
- SLOVENIA - BOSNIA - CROATIA  
SERBIA**  
VIA INTERNATIONAL d.o.o.  
1241 Kamnik
-  **SPAIN**  
TECNOTRANS BONFIGLIOLI S.A.  
08040 Barcelona
-  **SWEDEN - ESTONIA - LATVIA  
(Electric appl.)**  
JENS S. TRANSMISSIONER AB  
SE-601-19 Norrköping
-  **SWEDEN (Diesel appl.)**  
TRANS-AUTO  
SE 151-48 Sodertälje
-  **TURKEY**  
REMAS  
81700 Tuzla Istanbul

### AMERICA

- ARGENTINA**  
ACOTEC S.A.  
Villa Adelina - Buenos Aires
-  **BRAZIL**  
SGI PTI  
04461-050 Sao Paulo SP
-  **CHILE**  
SCEM LTDA  
Santiago Do Chile
- COLUMBIA**  
A.G.P. REPRESENTACIONES LTDA  
77158 Bogotà
-  **PERU'**  
SCEM LTDA SUC. PERU  
Lima 18
-  **U.S.A. - CANADA - MEXICO**  
TRANSFLUID LLC  
Auburn, GA30011  
Ph. +1 770 822 1777  
Fax +1 770 822 1774  
tfusa@transfluid.it
-  **AFRICA**  
**ALGERIA - CAMEROUN - GUINEA  
MAROCCO - MAURITANIA  
SENEGAL - TUNISIA**  
TRANSFLUID FRANCE s.a.r.l.  
38110 Rochetoirin (France)  
Ph. +33 9 75635310  
Fax +33 4 26007959  
tffrance@transfluid.it
- EGYPT**  
INTERN.FOR TRADING & AGENCY (ITACO)  
Nasr City (Cairo)
-  **SOUTH AFRICA  
SUB SAHARAN COUNTRIES**  
BMG BEARING MAN GROUP  
Johannesburg
-  **OCEANIA  
NEW ZELAND**  
HENLEY ENGINEERING Ltd  
Auckland

### ASIA

-  **ASIA South East**  
ATRAN TRANSMISSION PTE LTD  
Singapore 608 579
-  **CHINA**  
TRANSFLUID BEIJING TRADE CO. LTD  
101300 Beijing  
Ph. +86 10 60442301-2  
Fax +86 10 60442305  
tbtinfo@sina.com
- INDIA**  
PROTOS ENGINEERING CO. PRIVATE LTD  
600002 Tamilnadu Chennai
-  **INDONESIA**  
PT. HIMALAYA EVEREST JAYA  
Barat Jakarta 11710
- IRAN**  
LEBON CO.  
Tehran 15166
- IRAN (Oil & Gas appl.)**  
EVANPALA Inc  
Tehran 1433643115
-  **ISRAEL**  
ELRAM ENGINEERING &  
ADVANCED TECHNOLOGIES 1992 LTD  
Emek Hefer 38800
-  **JAPAN**  
ASAHI SEIKO CO. LTD.  
Osaka 593
- KOREA**  
KIWON CORP.  
Pusan - South Korea
-  **TAIWAN**  
FAIR POWER TECHNOLOGIES CO.LTD  
105 Taipei
-  **THAILAND**  
SYSTEM CORP. LTD.  
Bangkok 10140
- UAE - SAUDI ARABIA - KUWAIT - OMAN  
BAHRAIN - YEMEN - QATAR**  
NICO INTERNATIONAL U.A.E.  
Dubai

-  **TRANSFLUID SUBSIDIARIES**
-  **REPRESENTATIVE OFFICE**
-  **SERVICE CENTER**

Global web site: [www.transfluid.eu](http://www.transfluid.eu)

E-commerce web site: [www.buy-transfluid.com](http://www.buy-transfluid.com)

LOCAL DISTRIBUTOR